

QMR

Schematics

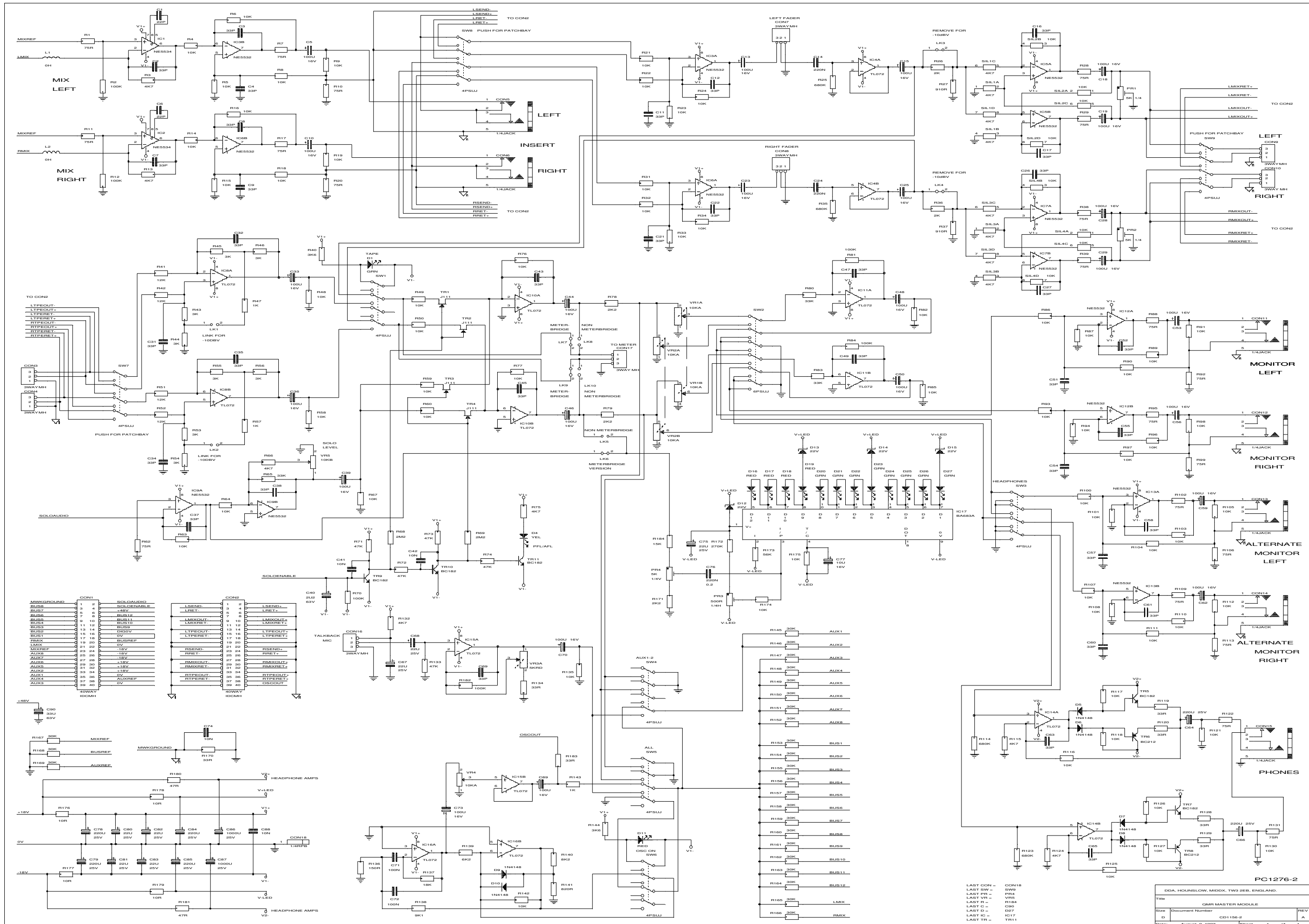
Klark Teknik Building
Walter Nash Road
Kidderminster
Worcestershire
DY11 7HJ

Tel: +44 (0) 1562 741515
Fax: +44 (0) 1562 745371

Email: info@uk.telex.com
Website: www.ddaconsoles.com

QMR Schematics
© Telex Communications (UK) Limited

In line with the company's policy of continual improvement, specifications and function maybe subject to change without notice. This Operator Manual was correct at the time of writing. E&OE.



PC1276-2

DDA, HOUNSLOW, MIDDX, TW3 2EB, ENGLAND.

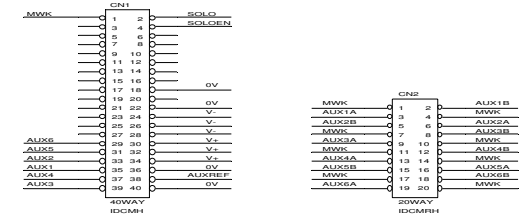
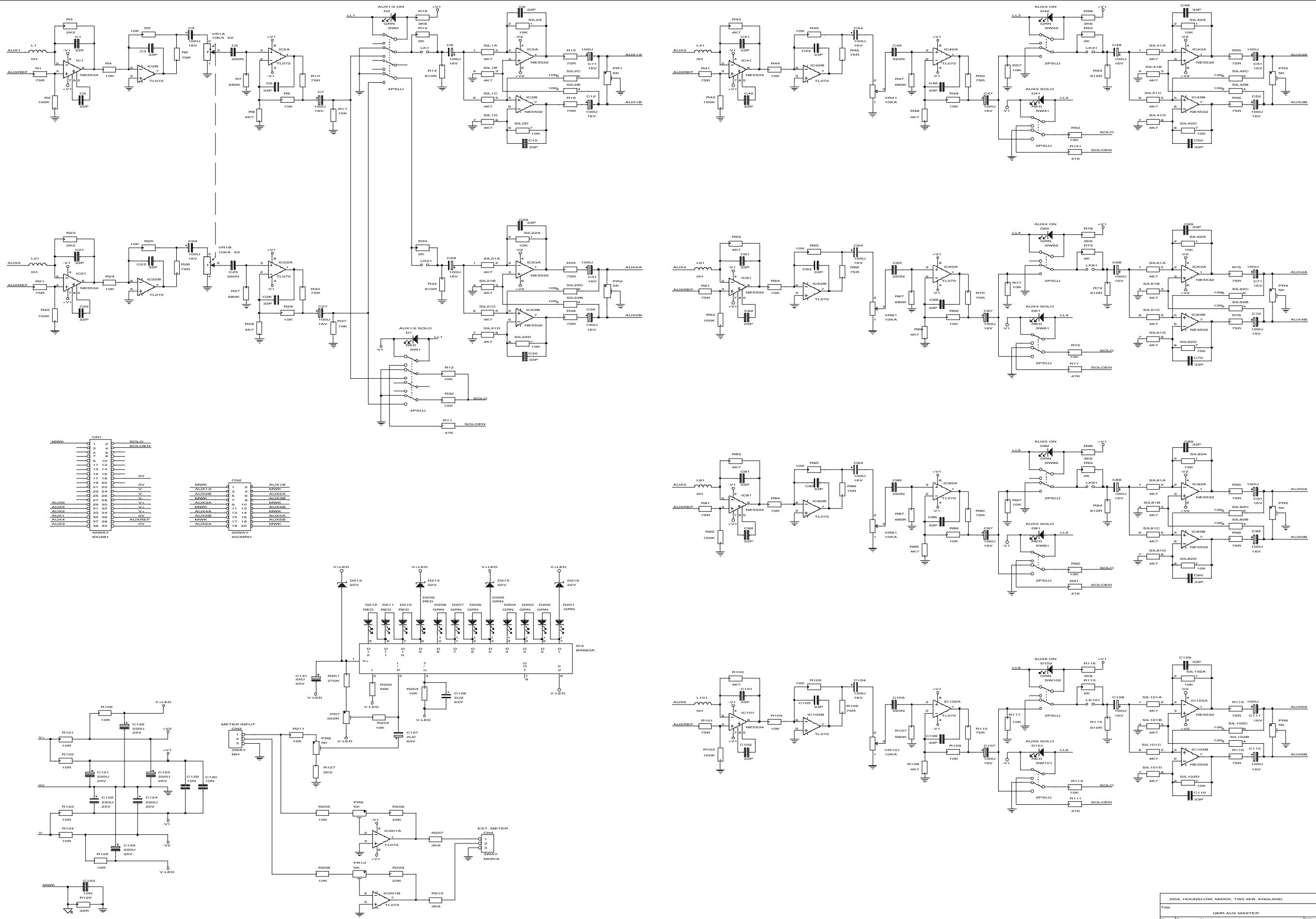
Title: 32MR MASTER MODULE

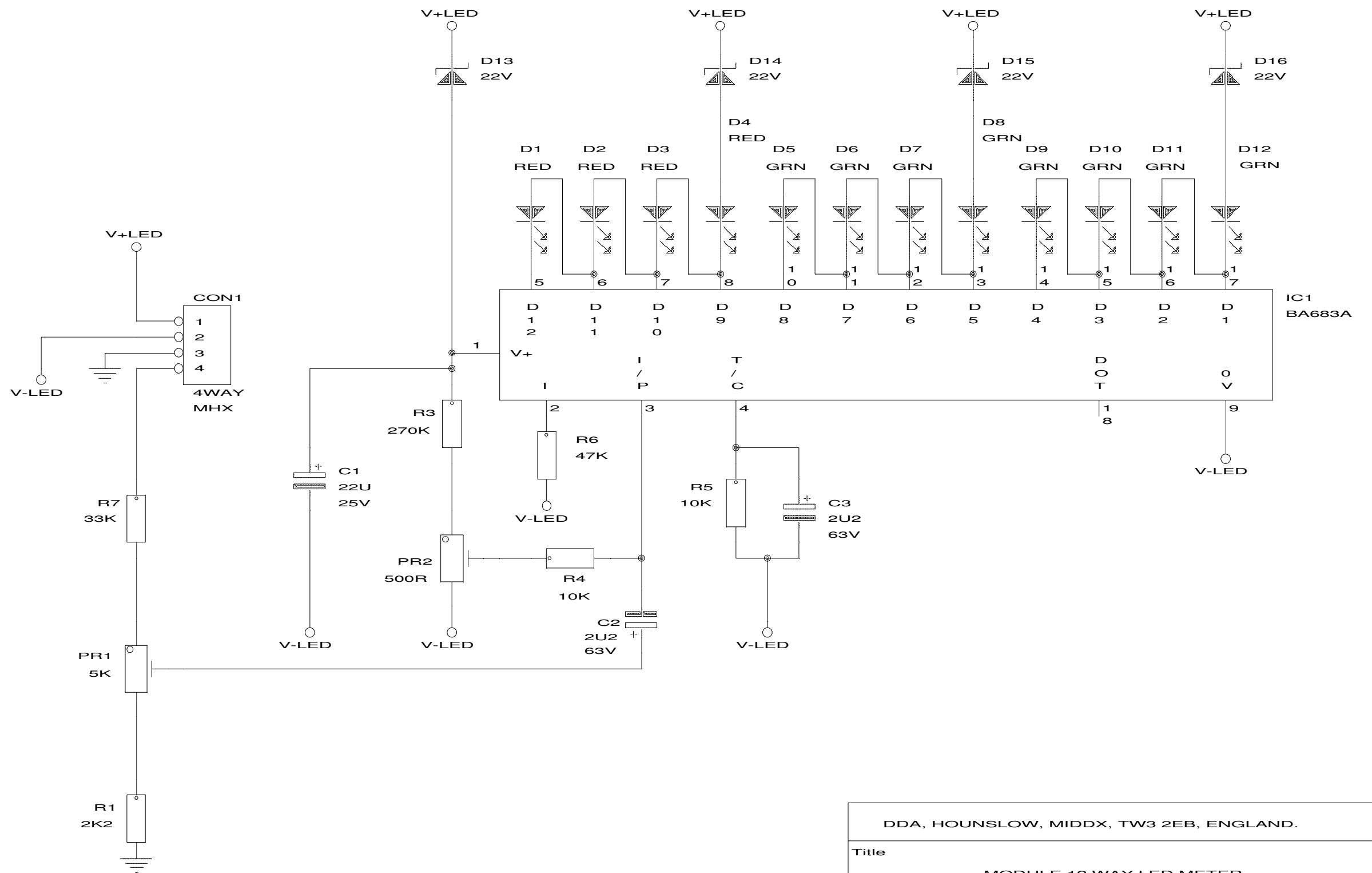
Doc Number: CD1156-2

Rev: A

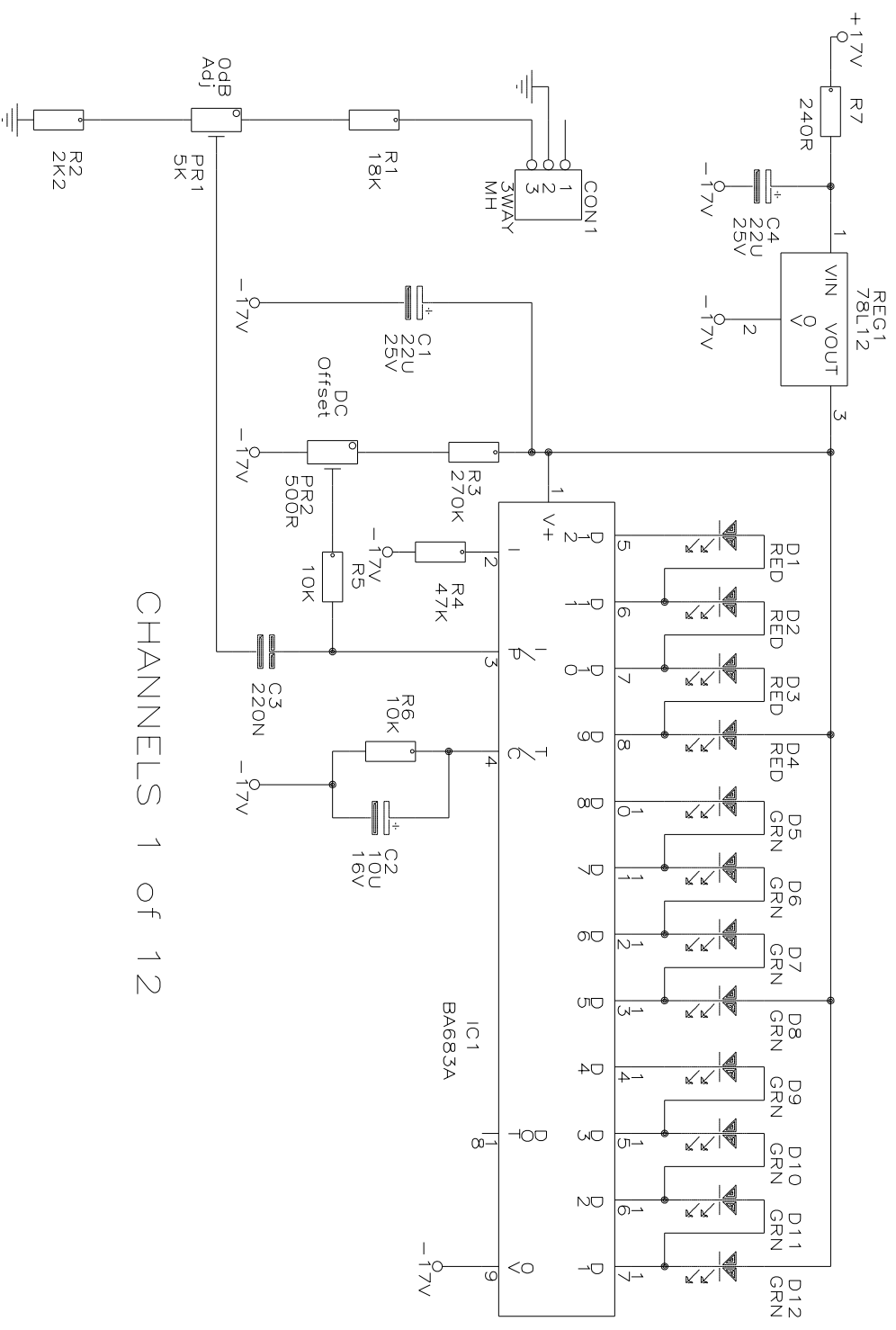
Date: August 9, 1993

Sheet: 1 of 1





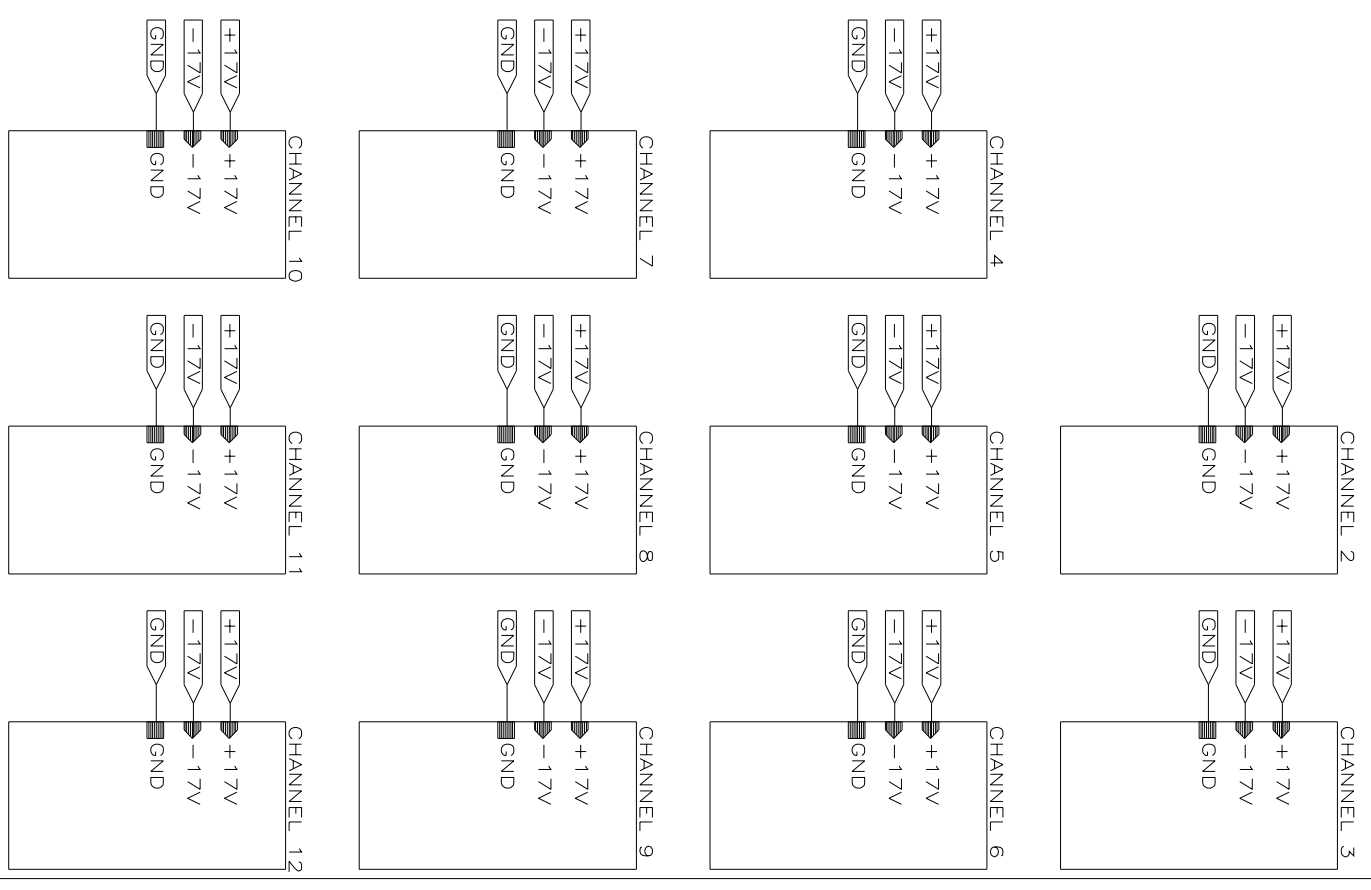
DDA, HOUNSLOW, MIDDX, TW3 2EB, ENGLAND.		
Title MODULE 12 WAY LED METER		
Size A	Document Number CD1154-1	REV A
Date:	March 23, 1993	Sheet 1 of 1



CHANNELS 1 OF 12

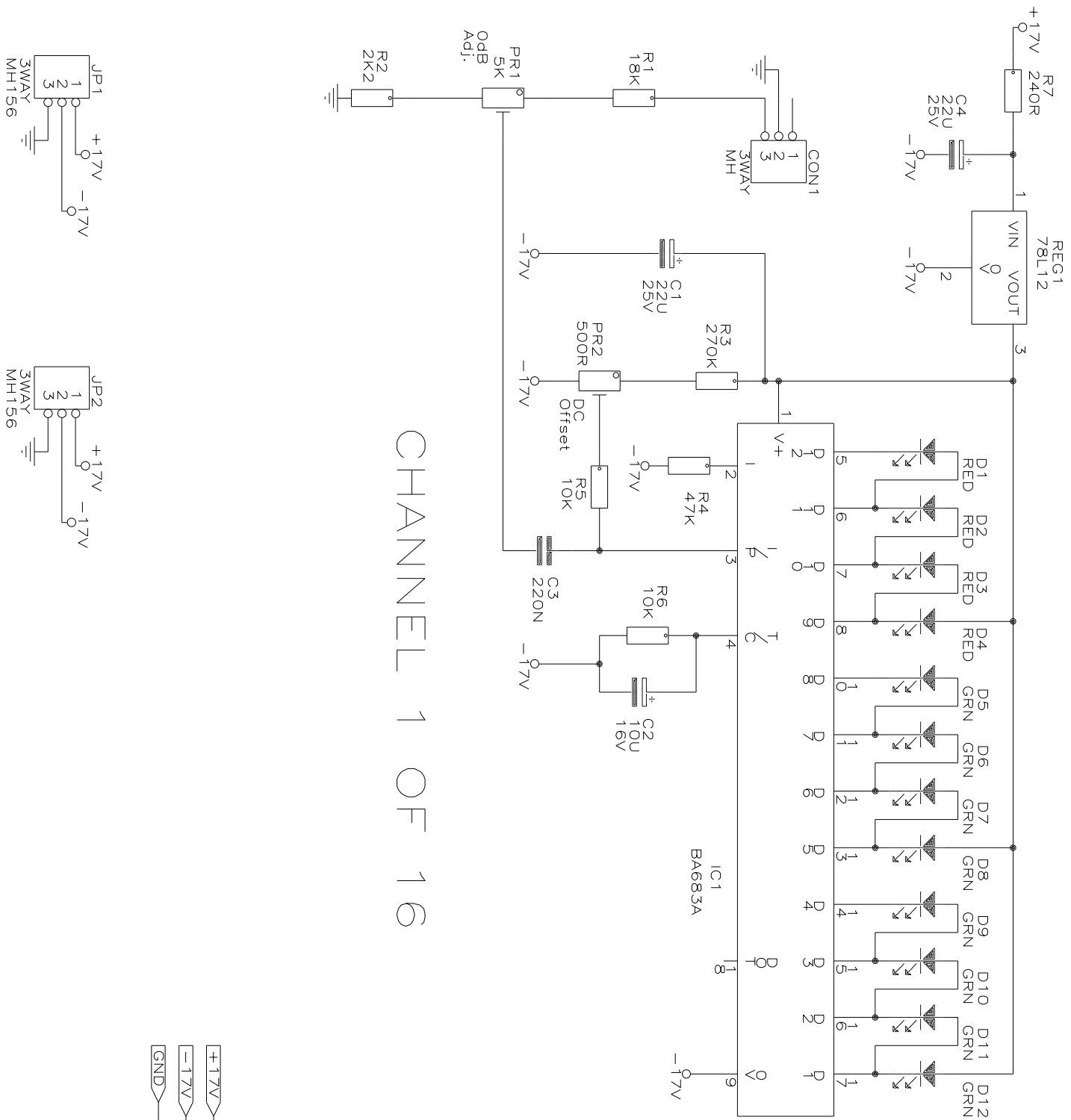


Power Input



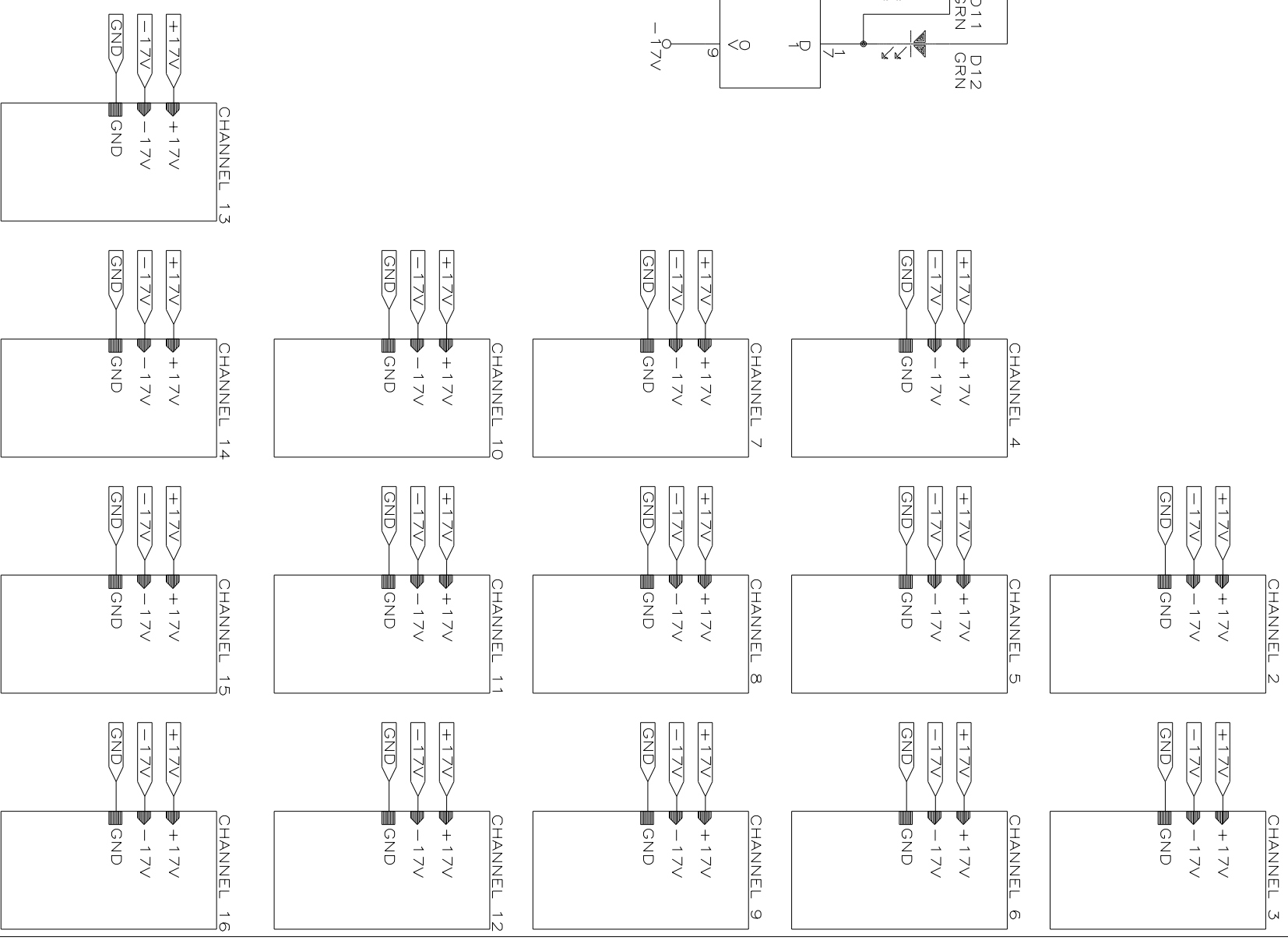
DDA LTD., HOUNSLOW , MIDD., TW3 2EB, ENGLAN
 TEL: (0)81 570 7161 FAX: (0)81 577 3677
 Title QMR 12 CHANNEL BARGRAPH
 Size Document Number PC1290-1
 B CD1166-1
 Date: July 7, 1993 Sheet 1 of 12

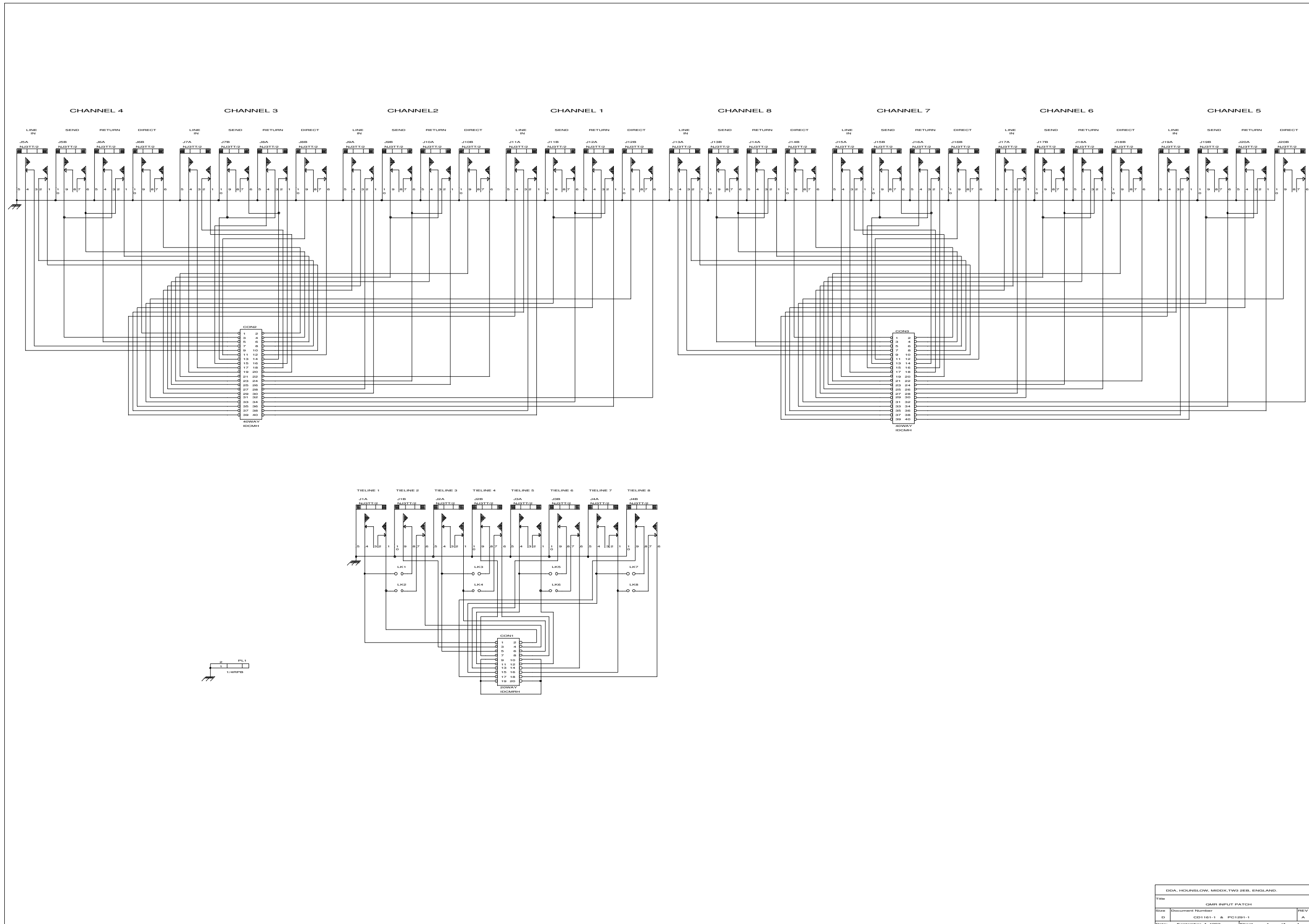
REV B



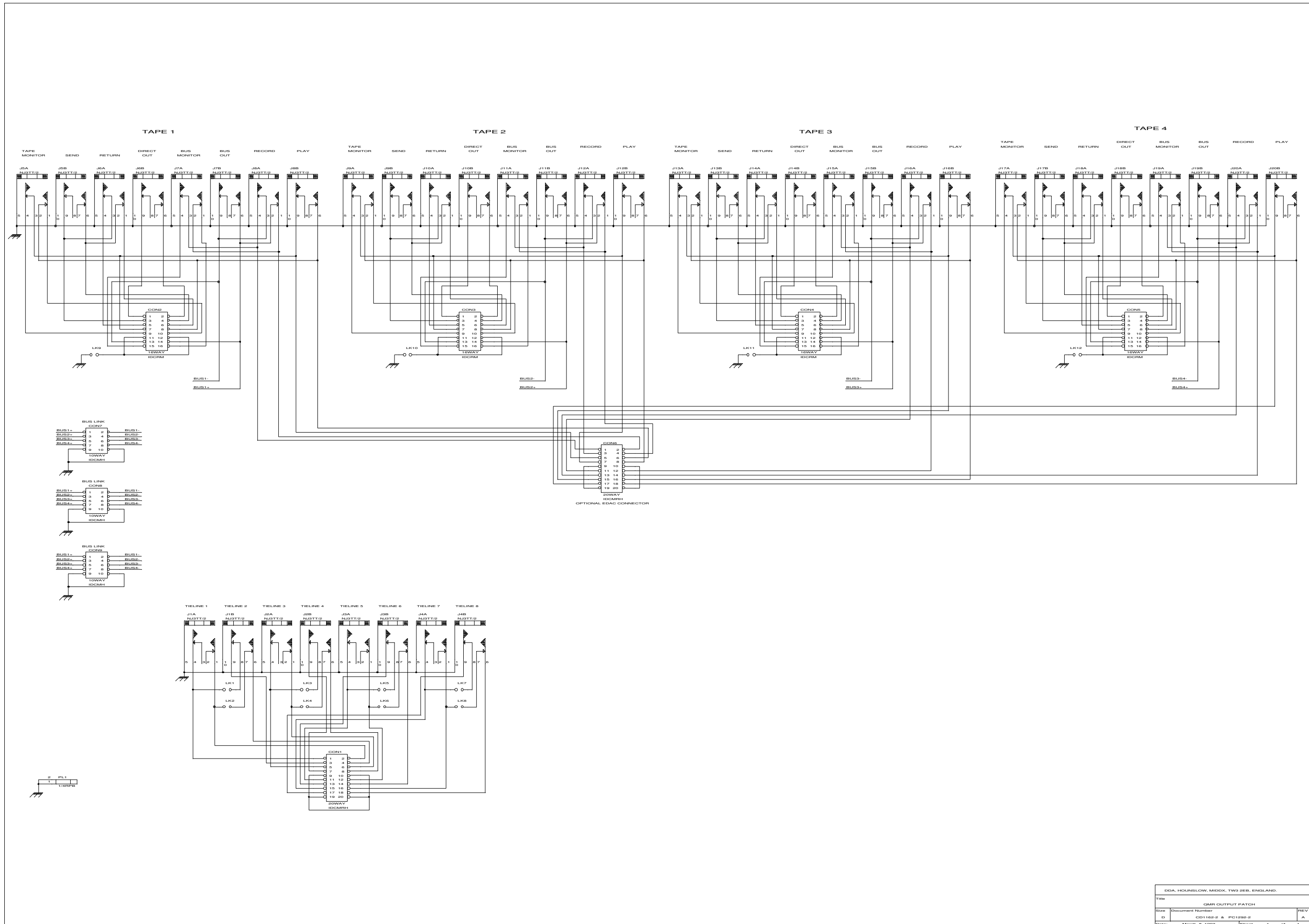
CHANNEL 1 OF 16

Power Input

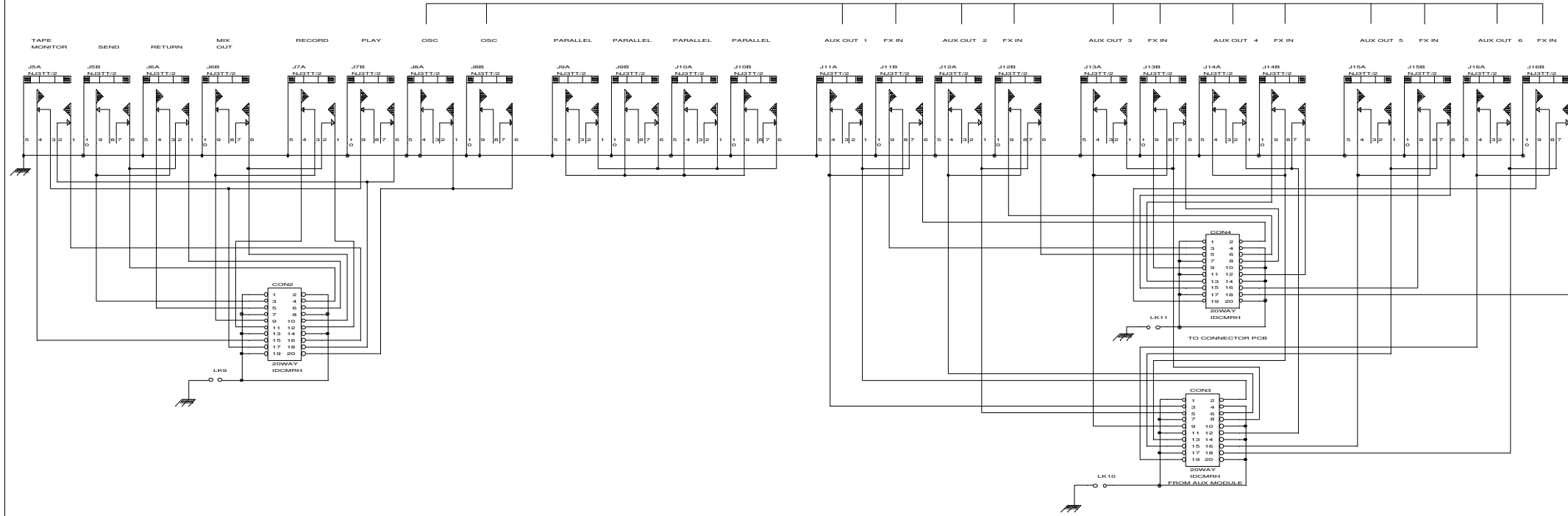




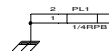
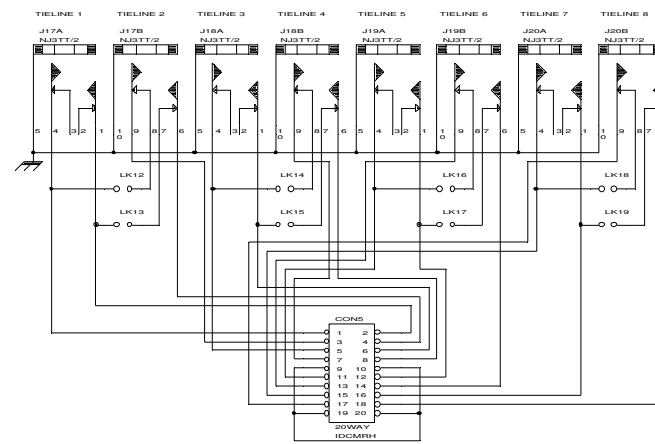
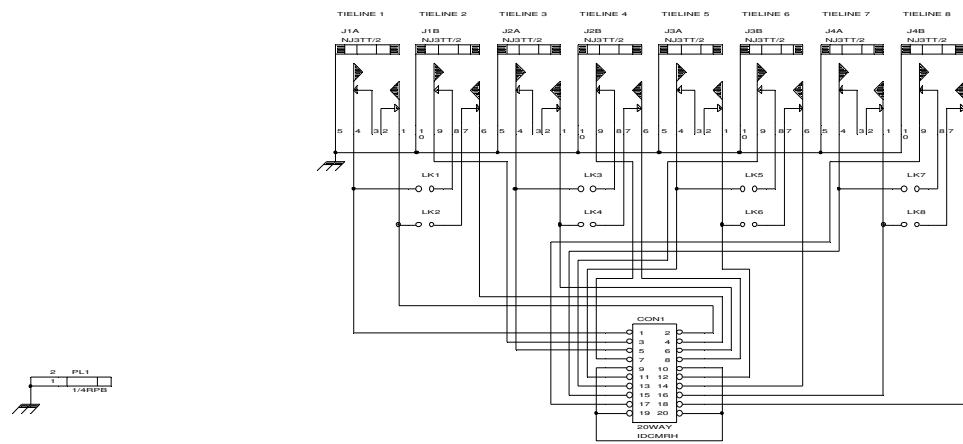
DDA, HOUNSLOW, MIDDXTW3 SEB, ENGLAND.			
Title: DDA INPUT PATCH			
Size: D	Document Number: CD1161.1 & PC1291.1	REV: A	
Date: September 4, 1992	Sheet: 1	of: 1	

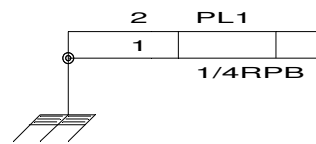
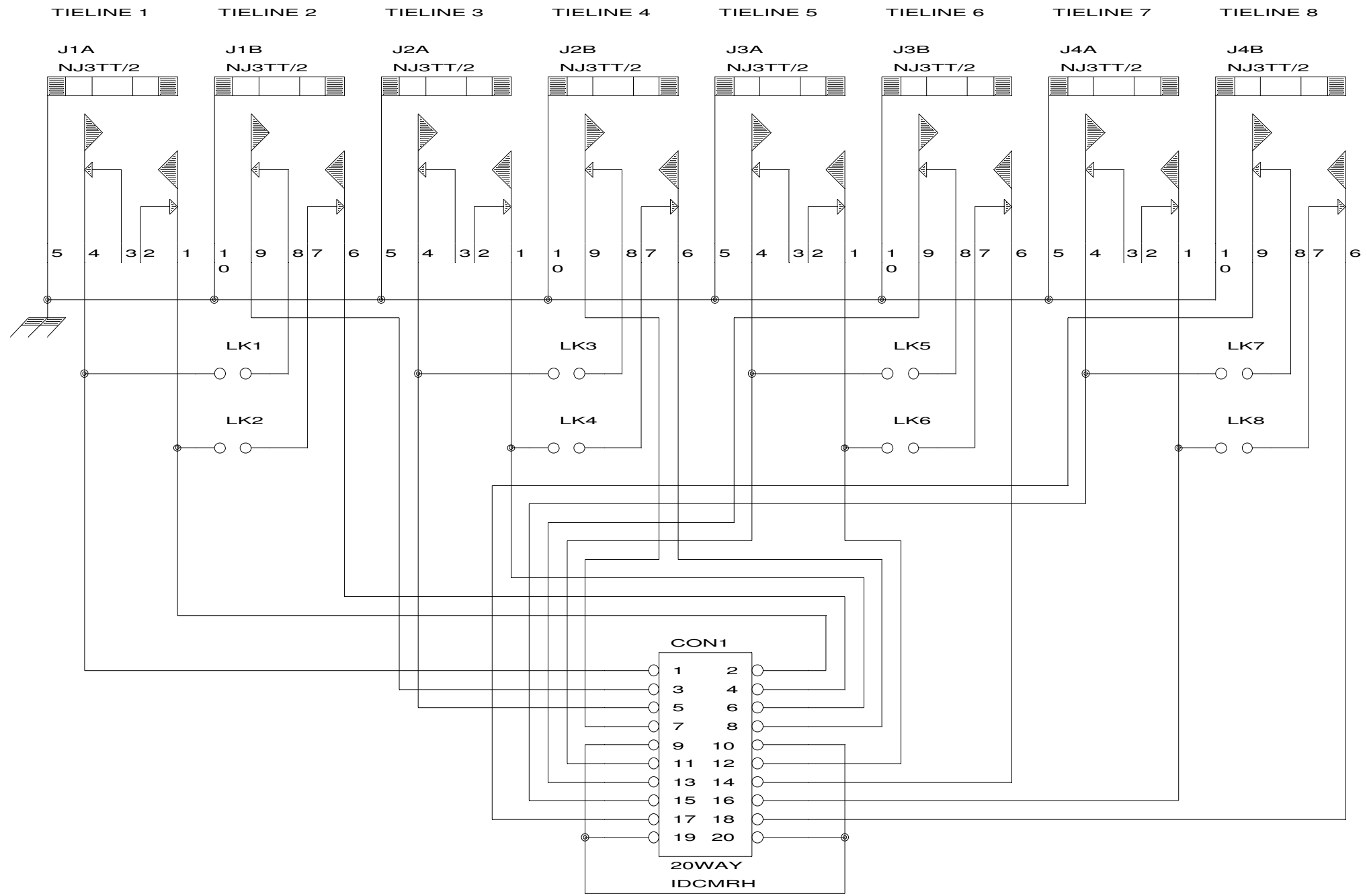


Not Fitted On Master L/H PCB.

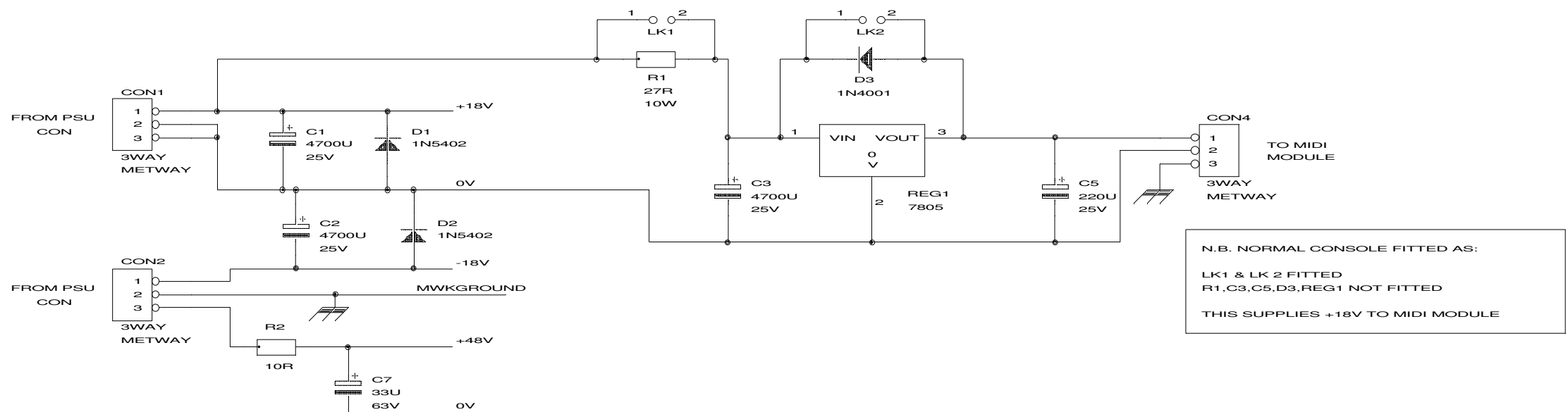


OPTIONAL TIELINES

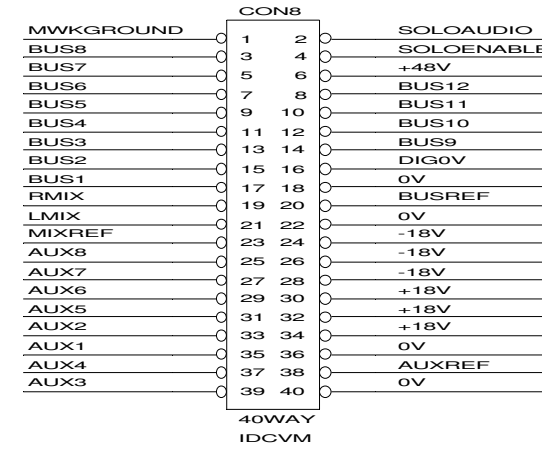
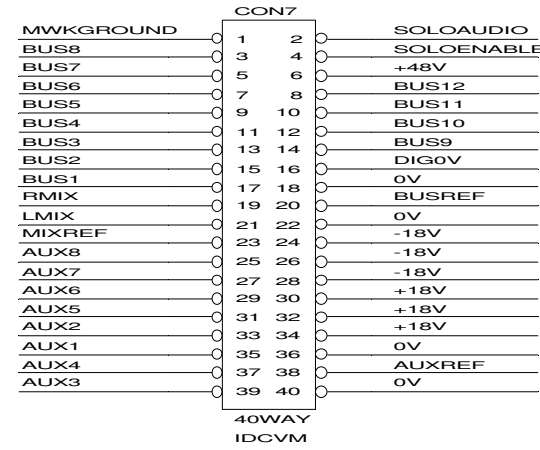
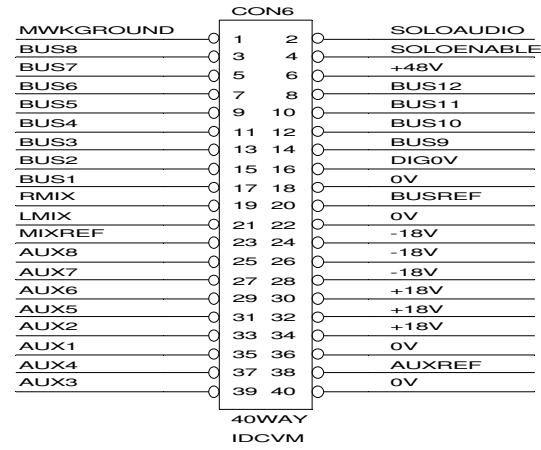
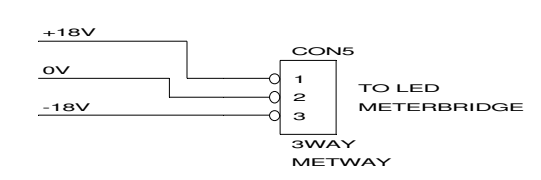
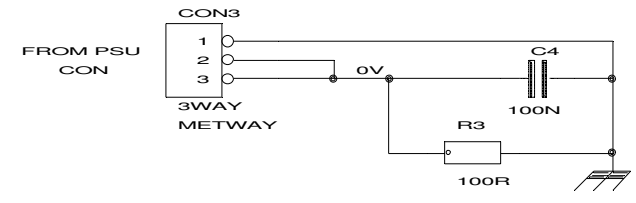


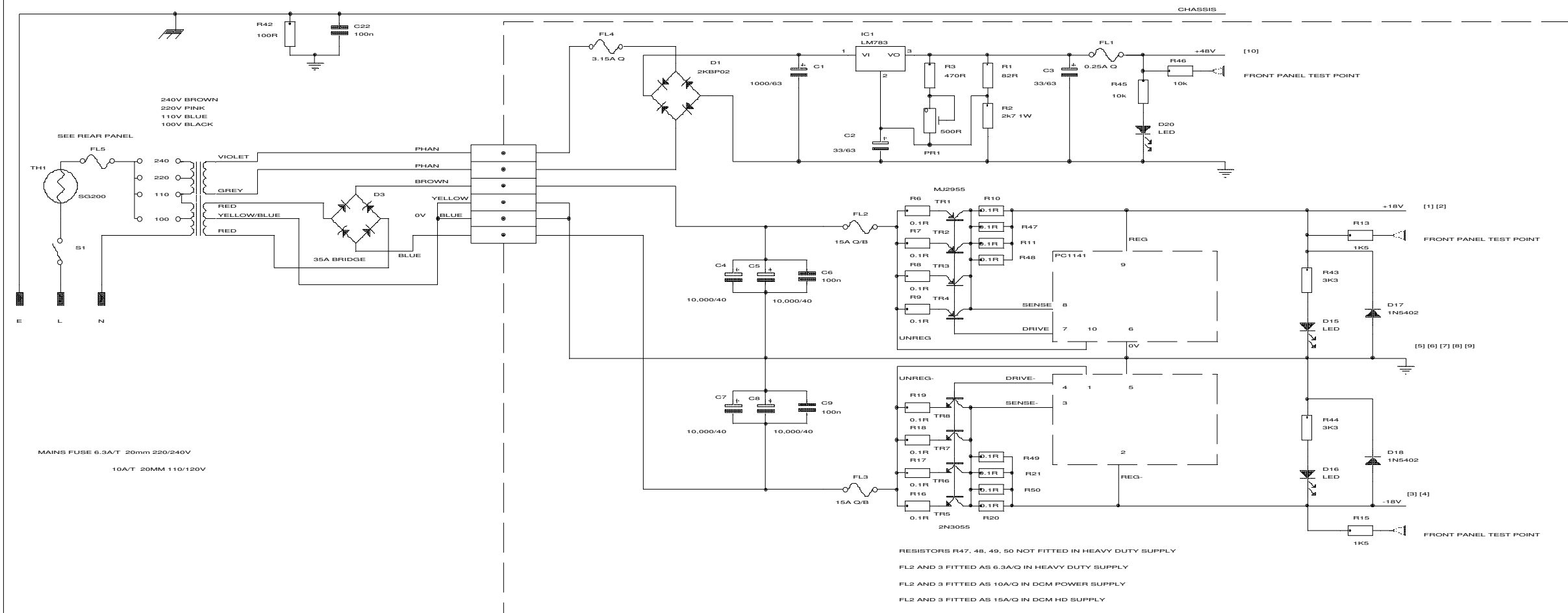


DDA, HOUNSLOW, MIDDX, TW3 2EB, ENGLAND.		
Title QMR TIELINE PATCH		
Size A	Document Number CD1164-1 & PC1294-1	REV A
Date: September 4, 1992	Sheet 1	of 1

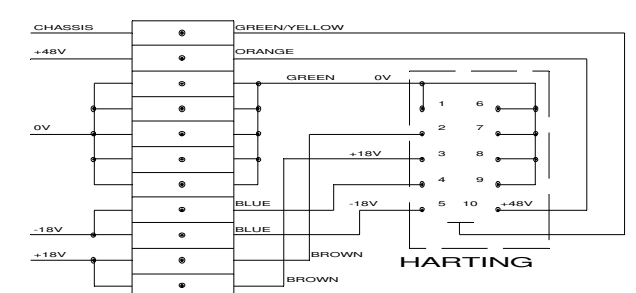
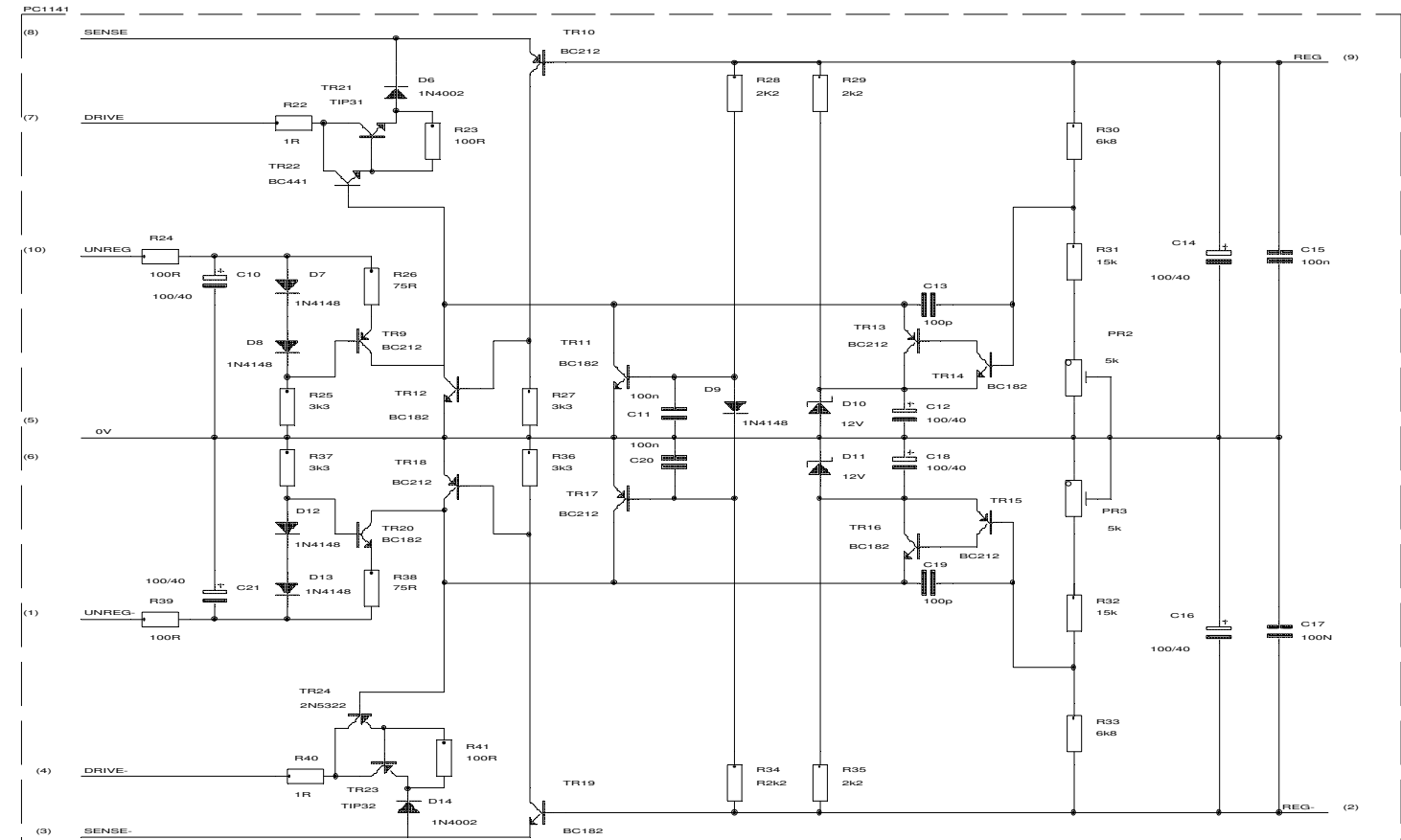


N.B. NORMAL CONSOLE FITTED AS:
 LK1 & LK 2 FITTED
 R1,C3,C5,D3,REG1 NOT FITTED
 THIS SUPPLIES +18V TO MIDI MODULE

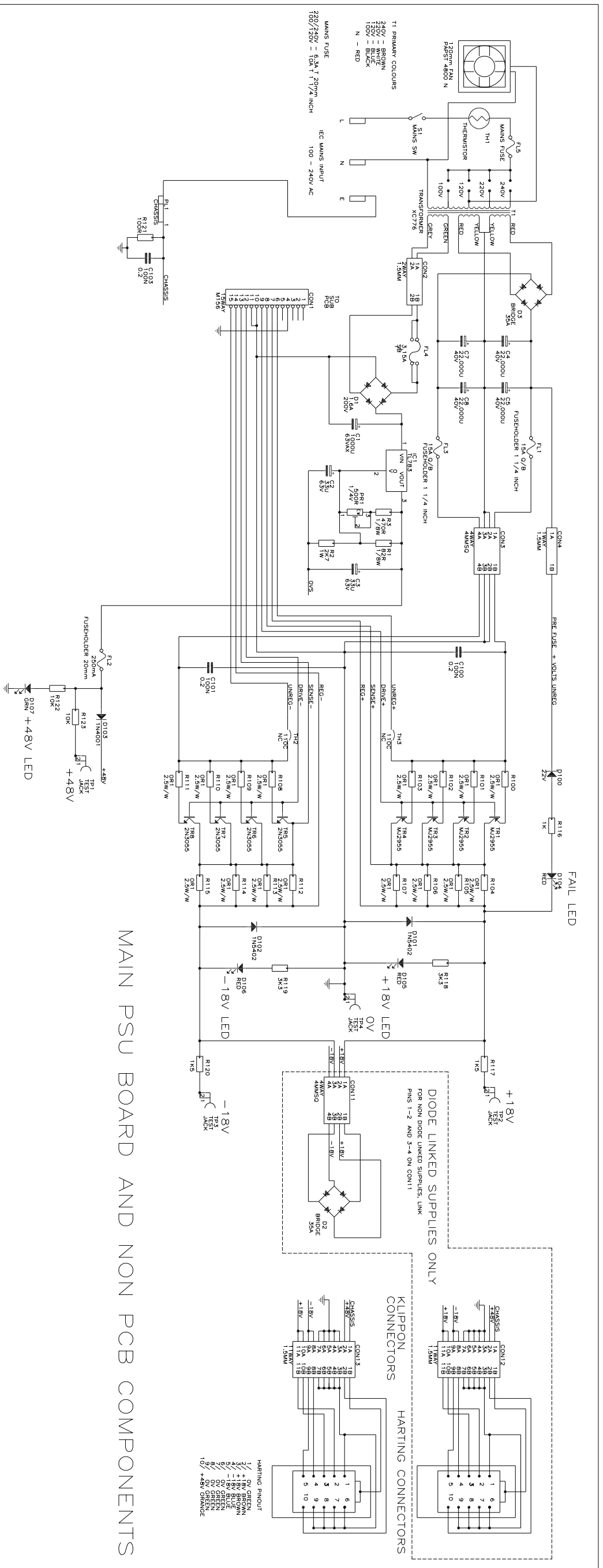




RESISTORS R47, 48, 49, 50 NOT FITTED IN HEAVY DUTY SUPPLY
 FL2 AND 3 FITTED AS 6.3A/Q IN HEAVY DUTY SUPPLY
 FL2 AND 3 FITTED AS 10A/Q IN DCM POWER SUPPLY
 FL2 AND 3 FITTED AS 15A/Q IN DCM HD SUPPLY

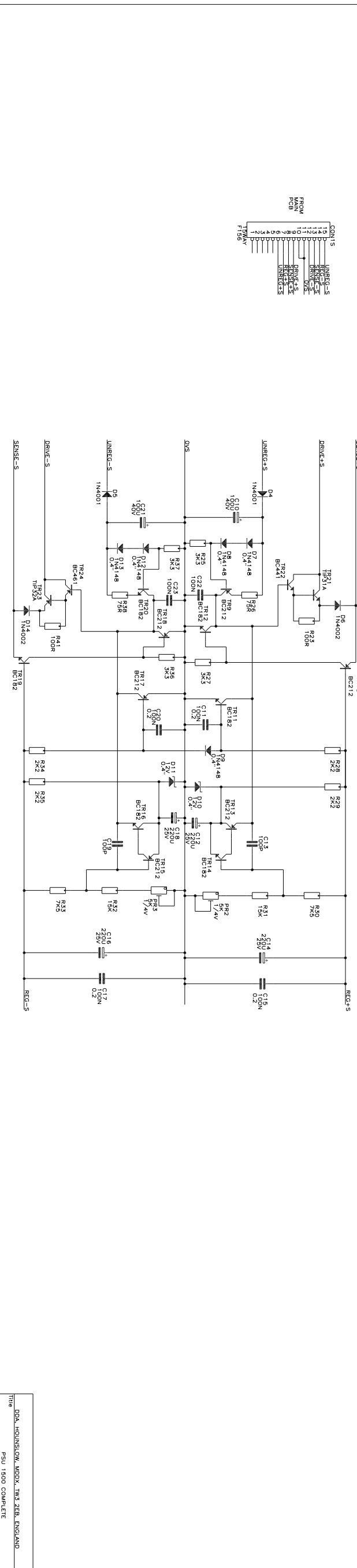


DDA LTD.			
Title	HD/DCM/DCM HD AUDIO POWER SUPPLY		
Size	Document Number	CD1219-1	REV
C			A
Date:	December 14, 1993	Sheet	1 of 1

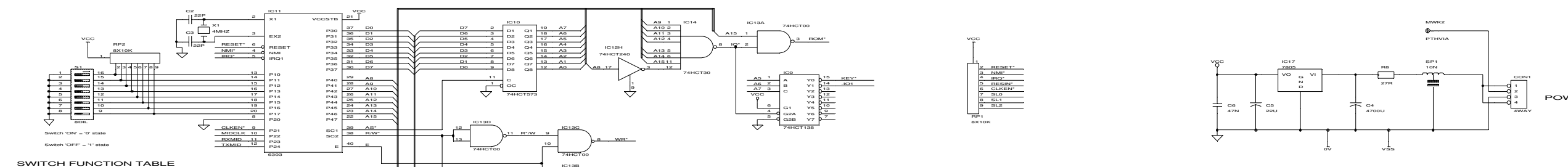


MAIN PSU BOARD AND NON PCB COMPONENTS

PLUG-IN CONTROL BOARD



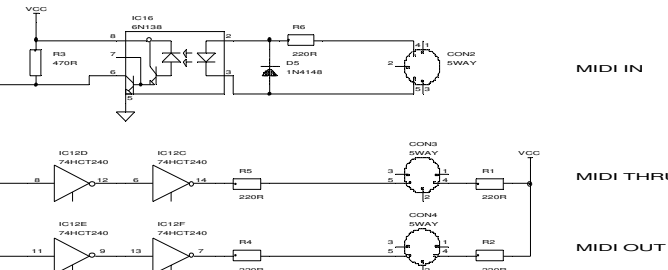
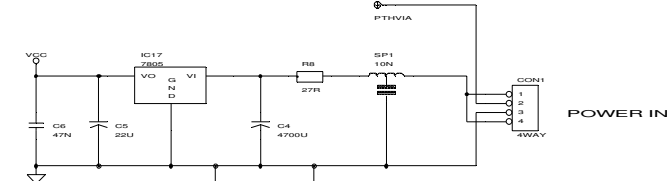
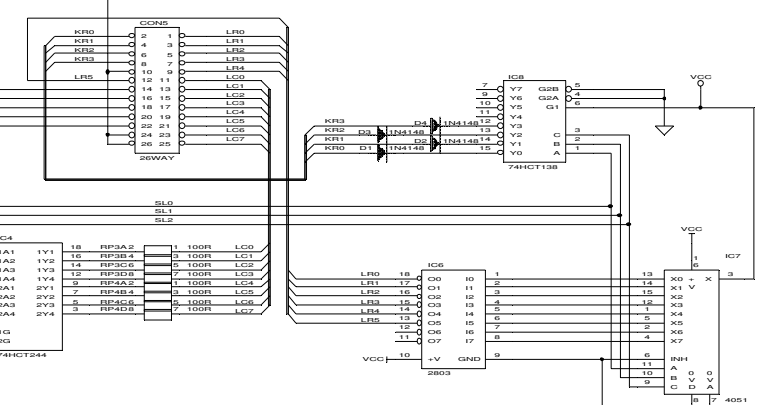
Title	DDA HOUNSLOW, MODX, TW3 2EB, ENGLAND
Size	PSU 1500 COMPLETE
Document Number	CD/265-1
REV	A
Date	February 15, 1998
Sheet	1 of 1



SWITCH FUNCTION TABLE

Sm	"ON" function	"OFF" function
1		
2		
3		
4	Add 21 to note number	No note offset
5	Mute Off = velocity 0	Mute Off = velocity 1
6	ByteEx rep rate = 2.5 sec	ByteEx rep rate = 1 sec
7	Respond "ALL NOTES OFF"	Ignore "ALL NOTES OFF"
8	Controller data sent	Note ON/OFF data sent

KEYBOARD INTERFACE



CHANNEL 1 - 16

CHANNEL 17 - 32

CHANNELS 33 - 48

CHANNELS 49 - 64

