

# Forum Monitor

Schematics

Klark Teknik Building  
Walter Nash Road  
Kidderminster  
Worcestershire  
DY11 7HJ

Tel: +44 (0) 1562 741515

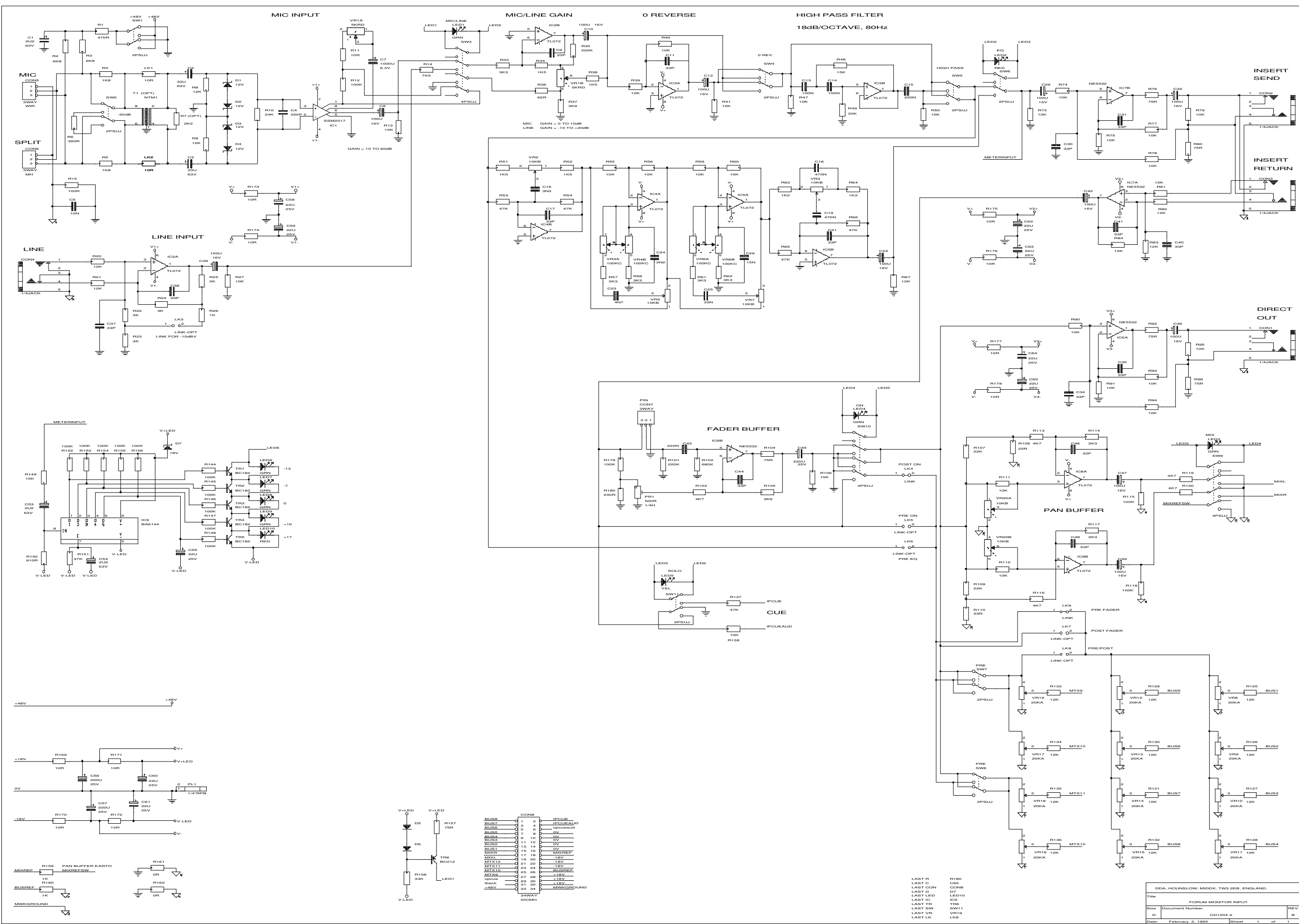
Fax: +44 (0) 1562 745371

Email: [info@uk.telex.com](mailto:info@uk.telex.com)

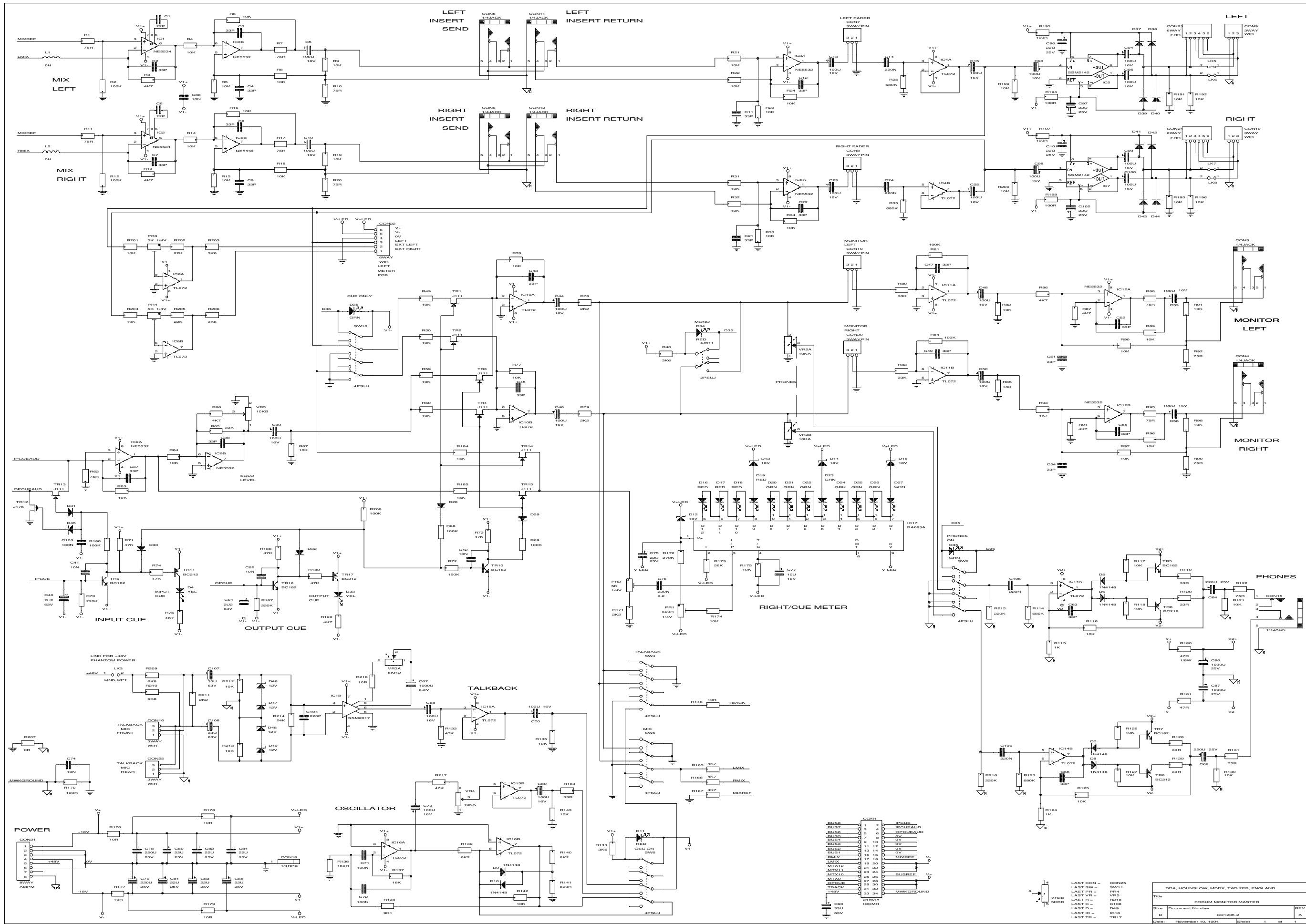
Website: [www.ddaconsole.com](http://www.ddaconsole.com)

Forum Monitor Schematics  
© Telex Communications (UK) Limited

In line with the company's policy of continual improvement, specifications and function maybe subject to change without notice. This Operator Manual was correct at the time of writing. E&OE.



CON8	IPCUE
1	IPCUEA/D
2	IPCUEB/D
3	IPCUEC/D
4	IPCUED/D
5	IPCUEE/D
6	IPCUEF/D
7	IPCUEG/D
8	IPCUEH/D
9	IPCUEI/D
10	IPCUEJ/D
11	IPCUEK/D
12	IPCUEL/D
13	IPCUEM/D
14	IPCUEO/D
15	IPCUEP/D
16	IPCUEQ/D
17	IPCUER/D
18	IPCUES/D
19	IPCUEV/D
20	IPCUEW/D
21	IPCUEX/D
22	IPCUEY/D
23	IPCUEZ/D
24	IPCUEA
25	IPCUEB
26	IPCUEC
27	IPCUED
28	IPCUEE
29	IPCUEF
30	IPCUEG
31	IPCUEH
32	IPCUEI
33	IPCUEJ
34	IPCUEK



CONN1

1	IPICL/AUD
2	IPICR/AUD
3	OPICL/AUD
4	OPICR/AUD
5	0V
6	0V
7	0V
8	0V
9	0V
10	0V
11	0V
12	0V
13	0V
14	0V
15	0V
16	0V
17	0V
18	0V
19	0V
20	0V
21	0V
22	0V
23	0V
24	0V
25	0V
26	0V
27	0V
28	0V
29	0V
30	0V
31	0V
32	0V
33	0V
34	0V
35	0V
36	0V
37	0V
38	0V
39	0V
40	0V
41	0V
42	0V
43	0V
44	0V
45	0V
46	0V
47	0V
48	0V
49	0V
50	0V
51	0V
52	0V
53	0V
54	0V
55	0V
56	0V
57	0V
58	0V
59	0V
60	0V
61	0V
62	0V
63	0V
64	0V
65	0V
66	0V
67	0V
68	0V
69	0V
70	0V
71	0V
72	0V
73	0V
74	0V
75	0V
76	0V
77	0V
78	0V
79	0V
80	0V
81	0V
82	0V
83	0V
84	0V
85	0V
86	0V
87	0V
88	0V
89	0V
90	0V
91	0V
92	0V
93	0V
94	0V
95	0V
96	0V
97	0V
98	0V
99	0V
100	0V

LAST CON -	CONN5
LAST SW -	SW11
LAST FR -	FR4
LAST VR -	VR5
LAST R -	RR5
LAST C -	C105
LAST D -	D49
LAST IC -	IC18
LAST TR -	TR17

DDA, HOUNSLOW, MDDX, TW3 2EB, ENGLAND

Title: FORUM MONITOR MASTER

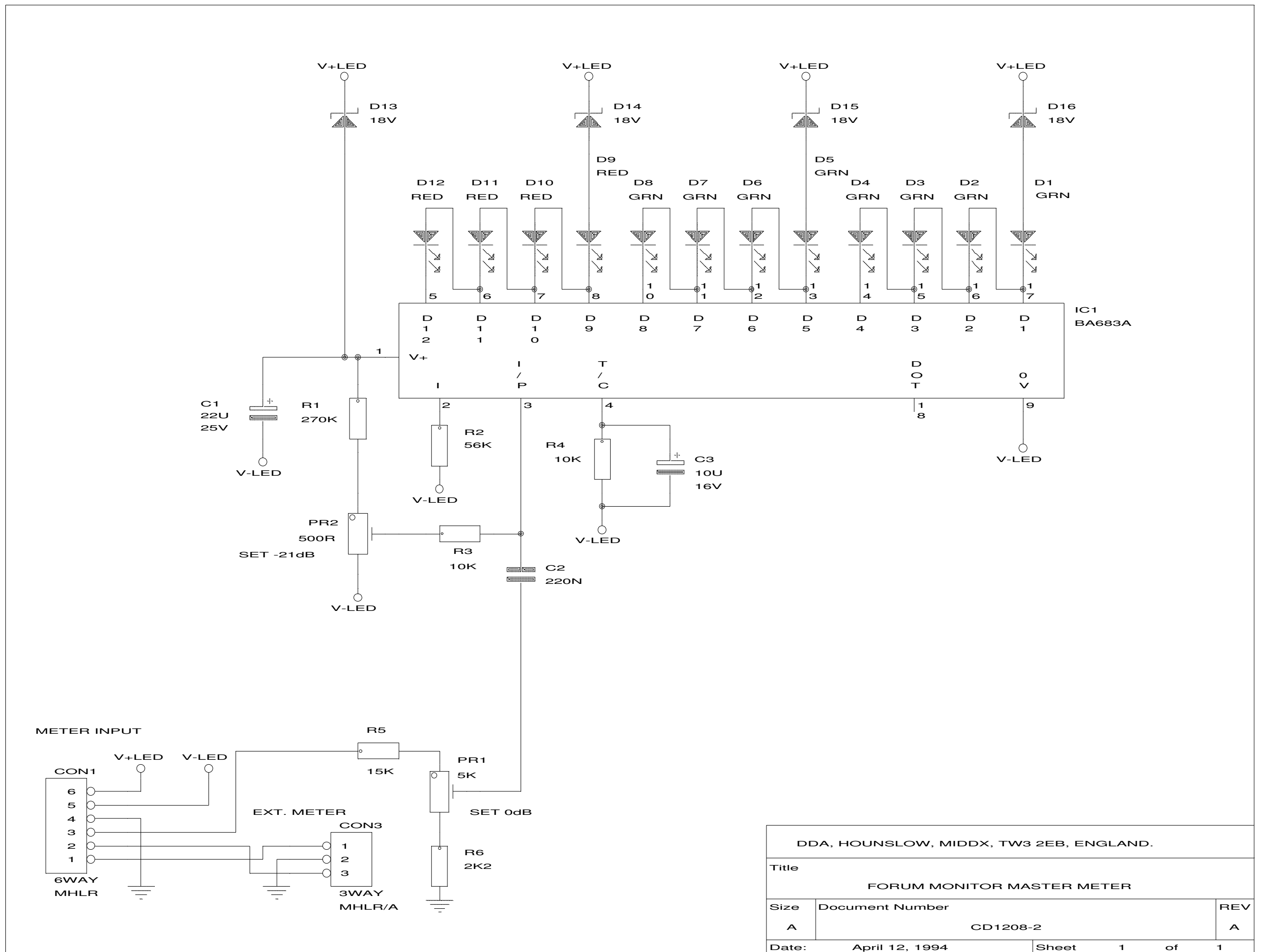
Doc Number: CD105-2

Date: November 10, 1994

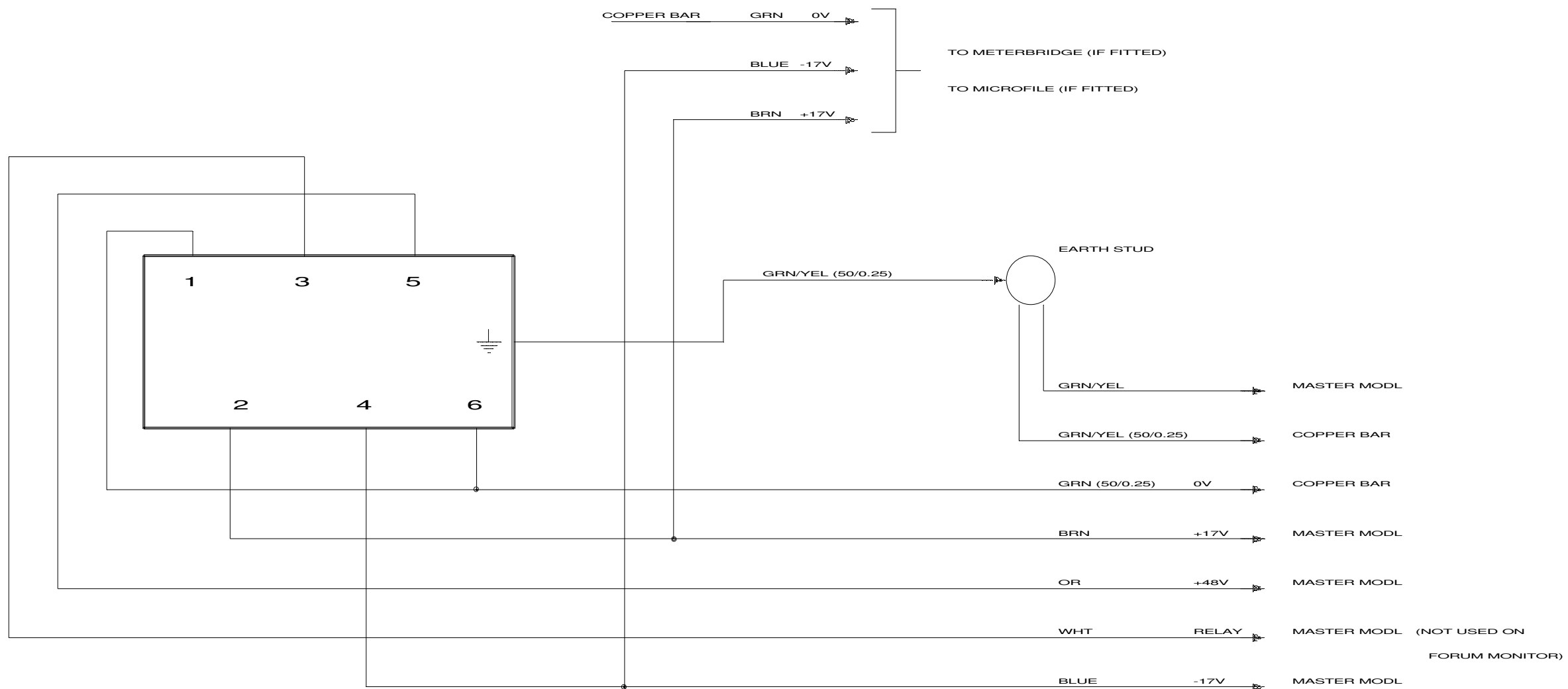
Sheet 1 of 1





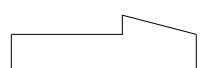


DDA, HOUNSLOW, MIDDX, TW3 2EB, ENGLAND.		
Title		
FORUM MONITOR MASTER METER		
Size	Document Number	REV
A	CD1208-2	A
Date:	April 12, 1994	Sheet 1 of 1



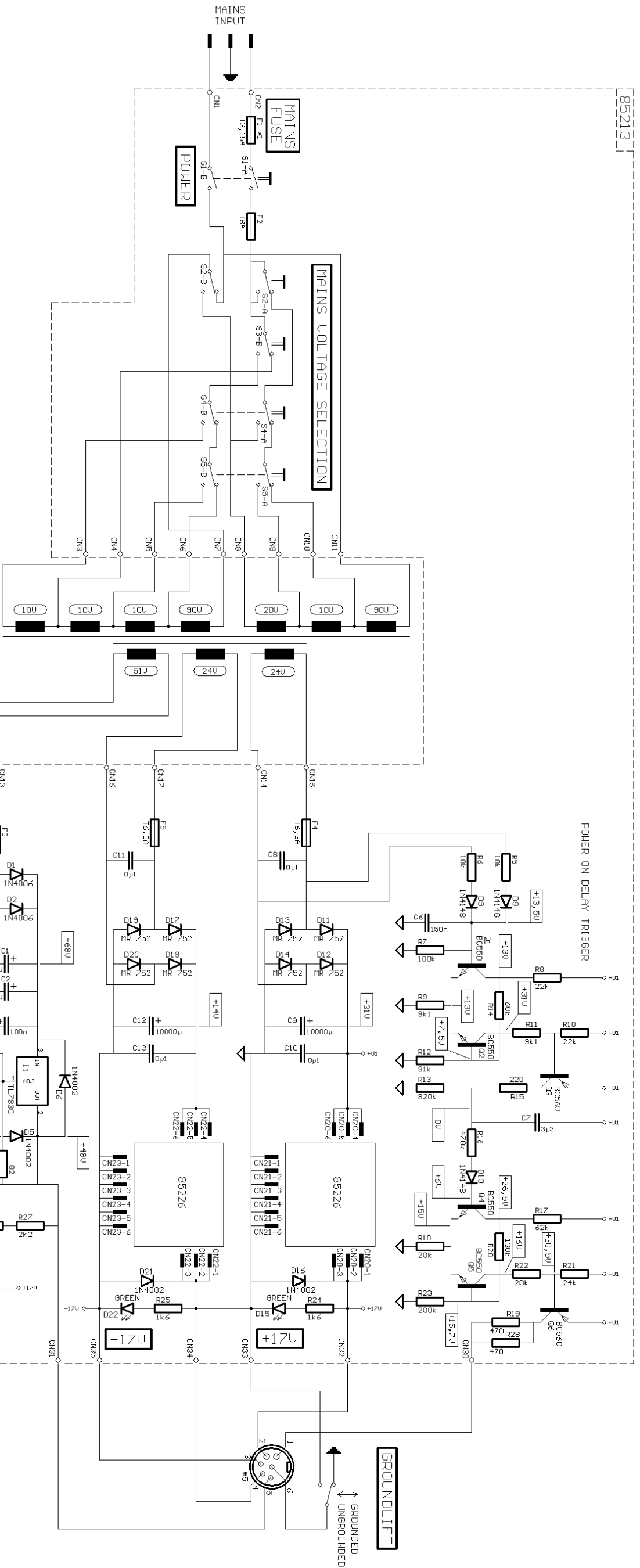
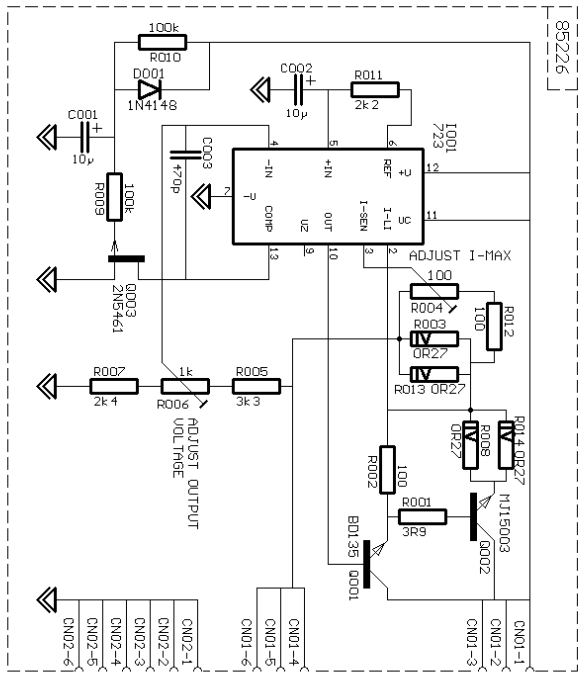
1	BROWN	+17V	PSU CONN
2	BLUE	-17V	PSU CONN
3	ORANGE	+48V	PSU CONN
4	WHITE	RELAY	PSU CONN
5	GRN/YEL		CHASSIS STUD

ALL WIRES TRI-RATED 24/0.2 UNLESS STATED



MASTER MODL CONNECTOR

DDA LTD., HOUNSLOW, MIDDX., TW3 2EB, ENGLAND		
TEL: (0)81 570 7161 FAX: (0)81 577 3677		
Title FORUM FRAME POWER WIRING		
Size B	Document Number AS1341-3	REV A
Date: August 22, 1994	Sheet 1	of 1



NOTES:  
 \*1 F1 : USE T3,15A FOR 240/230V AC  
 USE T6,3A FOR 100/120V AC

- AC VOLTAGE 50/60 HZ MEASURED VOLTMETER 2000 OHMS/V
- DC VOLTAGE MEASURED WITH VOLTMETER 100KOHM/V NO-LOAD
- SAFETY COMPONENT (MUST BE REPLACED BY ORIGINAL PART)
- POWER RESISTOR 4 WATT
- 2N 5461
- HJ 15003
- B0 135
- TL 783C
- BC 550/560
- 723

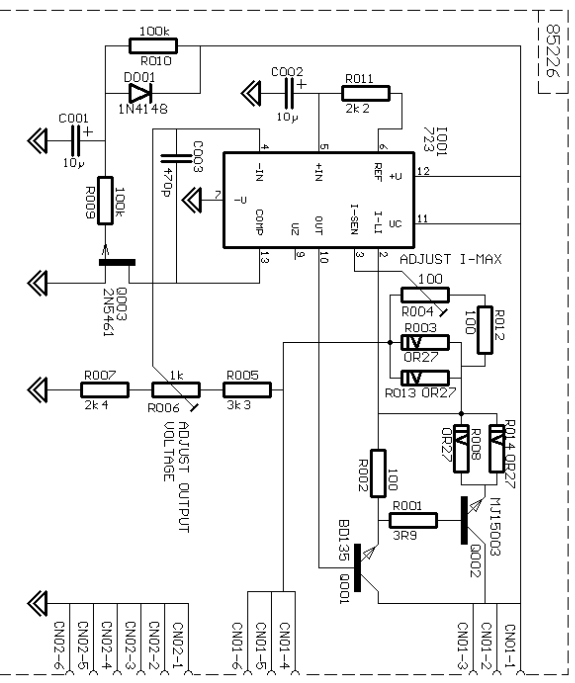
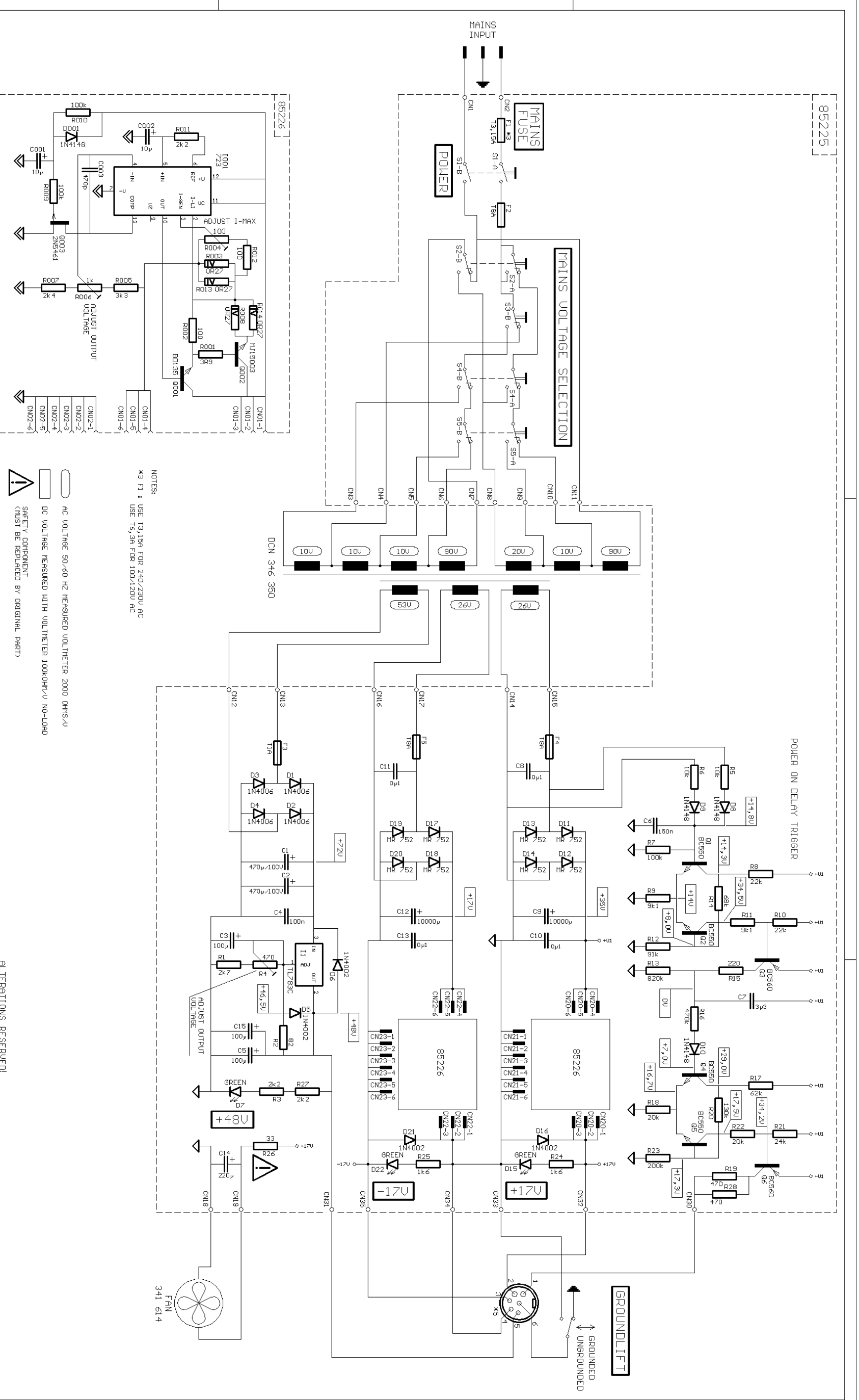
ALTERATIONS RESERVED!

3/11/1992	81:37:58	Last modified
5/07/1995	16:09:47	Last printed
1981		DATE
		NAME
		DRAWN
		CHECKED
		STADLER
		APP'D

**DYNACORD**

344 803	CIRCUIT DIAGRAM
1/1	

PSI2835B 85213  
85226



NOTES:  
 \*3 F1 : USE T3,15A FOR 240/230V AC  
 USE T6,3A FOR 100/120V AC

- AC VOLTAGE 50/60 HZ MEASURED VOLTMETER 2000 OHMS/V
- DC VOLTAGE MEASURED WITH VOLTMETER 100KOHM/V NO-LOAD
- SAFETY COMPONENT (MUST BE REPLACED BY ORIGINAL PART)
- POWER RESISTOR 4 WATT

- 2N 5461
- HJ 15003
- B0 135
- TL 783C
- BC 550/560
- 723
- GDS
- E, B, C
- E, B, C
- 1 2 3
- 1 4 14
- 7 8

ALTERATIONS RESERVED!

Last modified: 8/09/1992 10:32:12		PSI2860		85225	
Last printed: 5/07/1995 16:11:59		85226		85226	
1992/	DATE	NAME			
DSS/D	CHK/D	STADLER	CIRCUIT DIAGRAM		
APP/D	CHK/D	APP/D	346 353		
DYNACORD			INTERFACE		
DATE	REVISION	DATE	NAME		
				2-	