

FMR

Schematics

Klark Teknik Building
Walter Nash Road
Kidderminster
Worcestershire
DY11 7HJ

Tel: +44 (0) 1562 741515

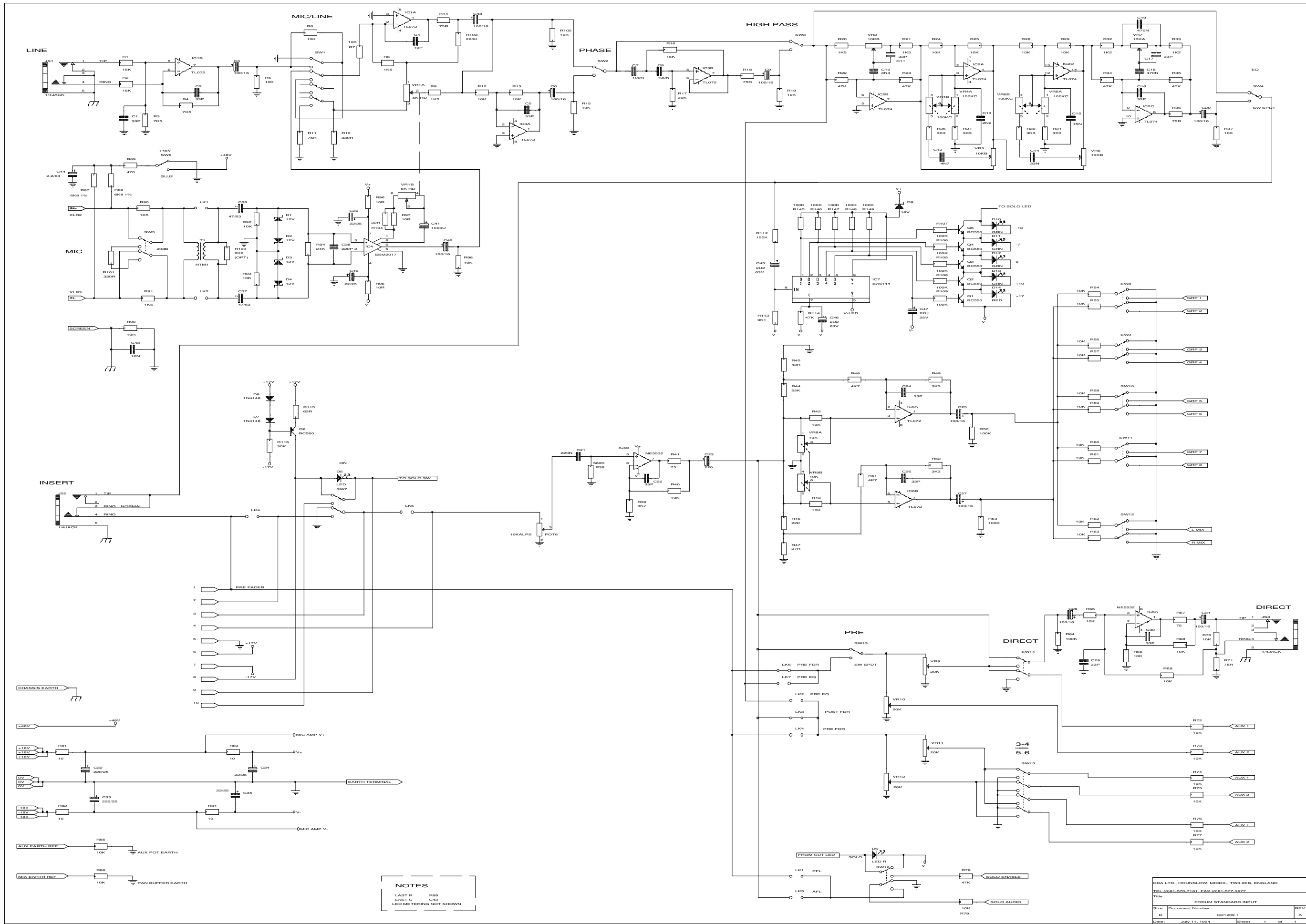
Fax: +44 (0) 1562 745371

Email: info@uk.telex.com

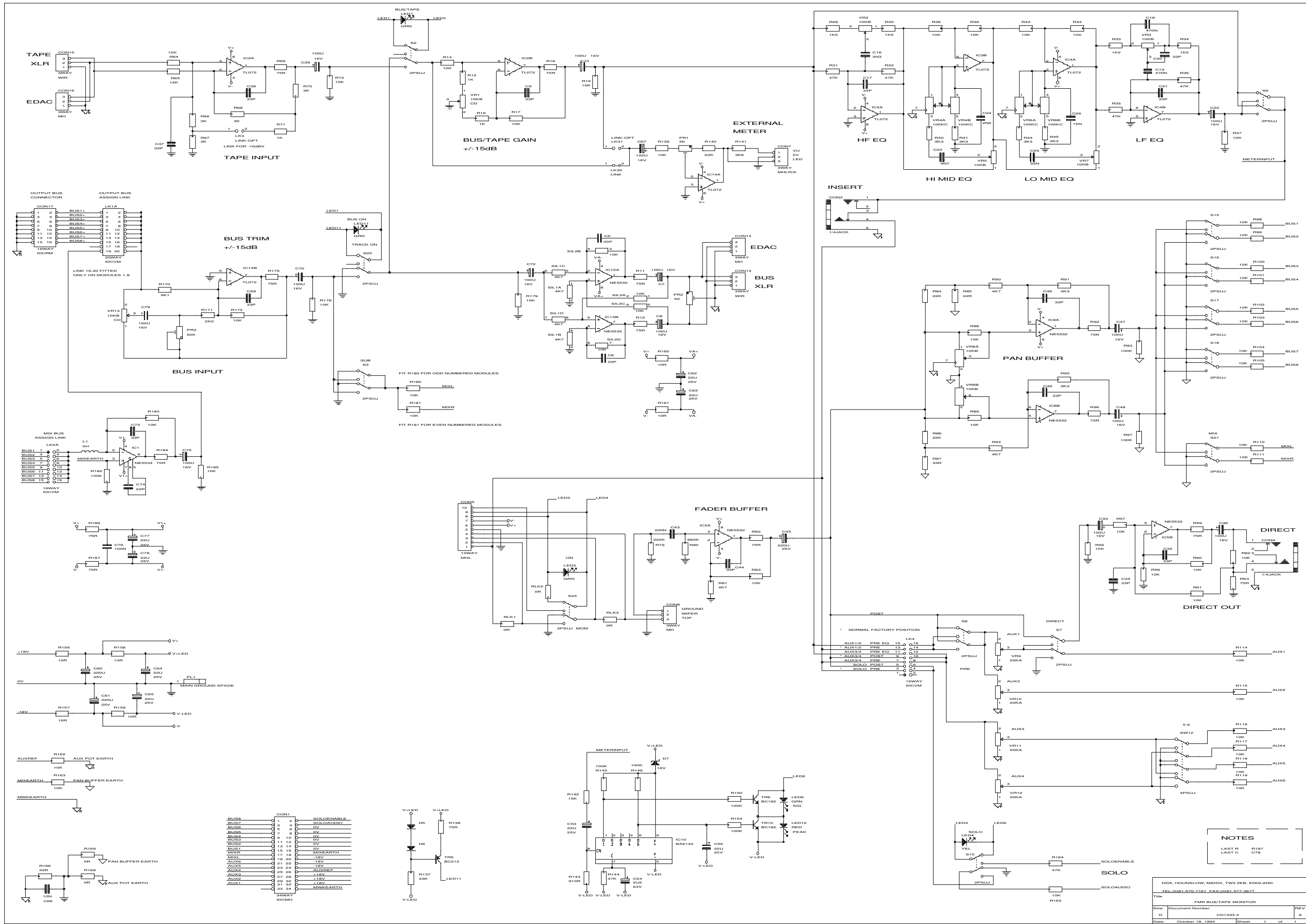
Website: www.ddaconsoles.com

FMR Schematics
© Telex Communications (UK) Limited

In line with the company's policy of continual improvement, specifications and function maybe subject to change without notice. This Operator Manual was correct at the time of writing. E&OE.



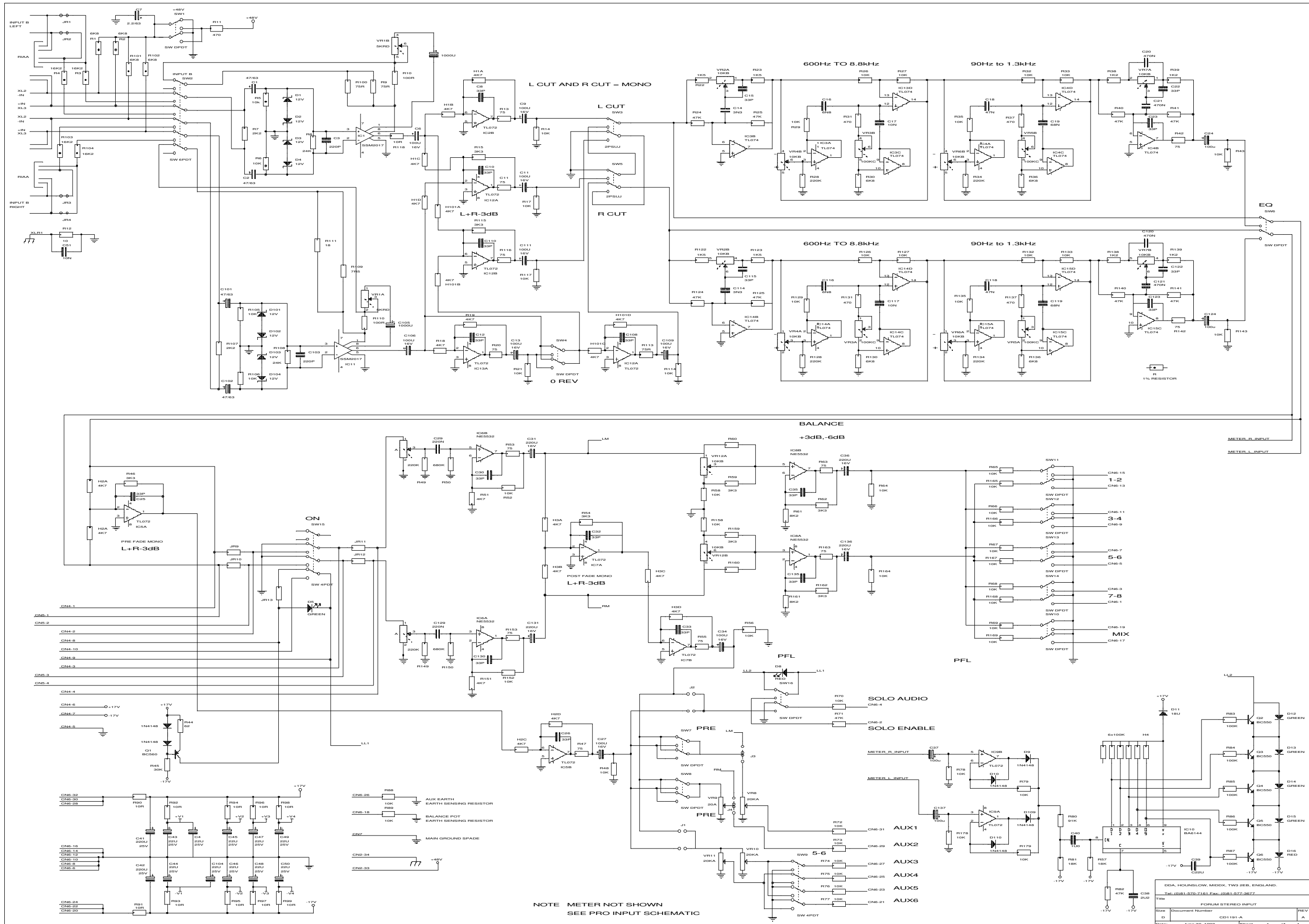
NOTES
 LAST R R89
 LAST C C43
 LED METERING NOT SHOWN



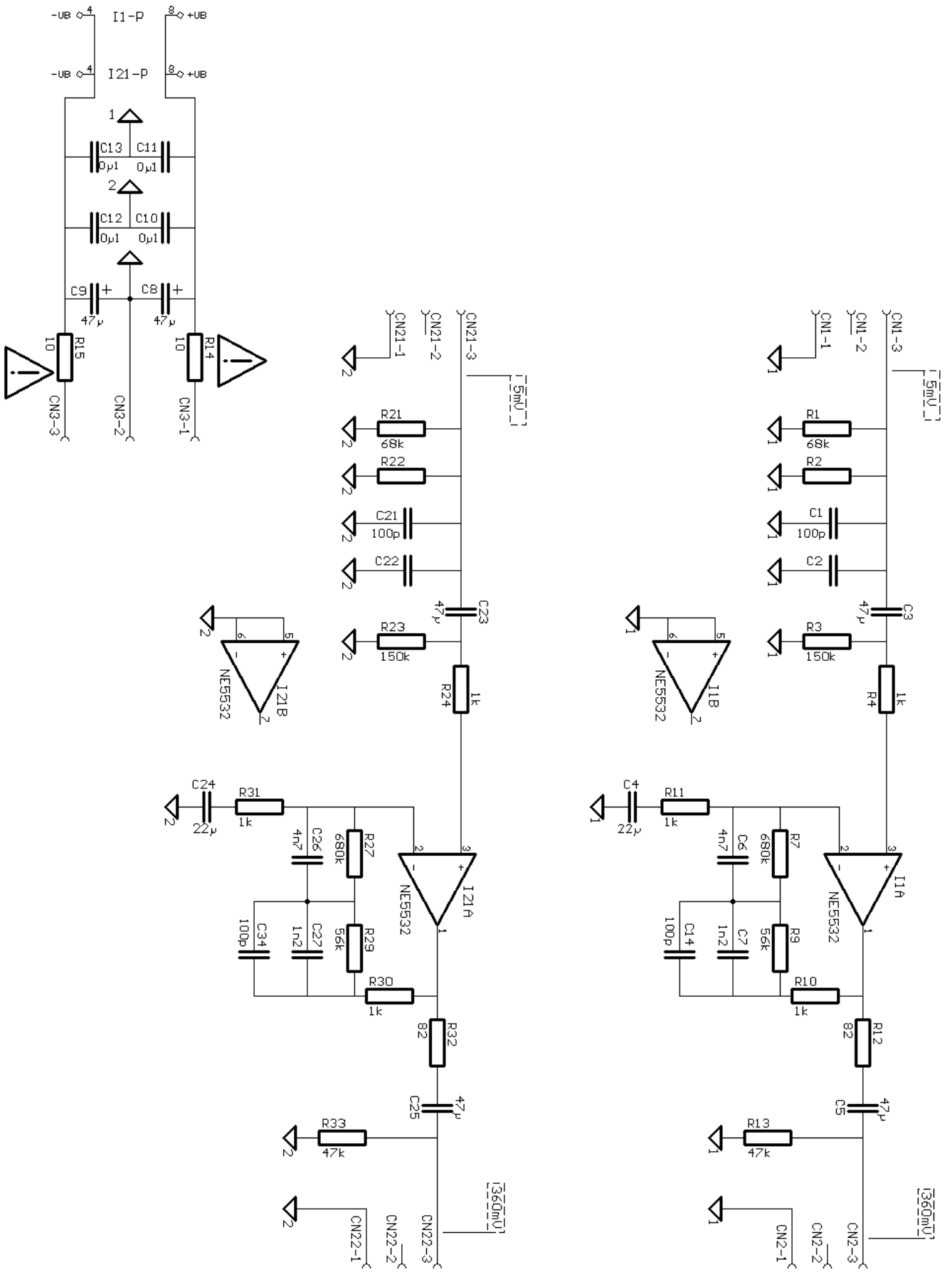
CONN1 SOLDENABLE

BUS1	1	OV
BUS2	2	OV
BUS3	3	OV
BUS4	4	OV
BUS5	5	OV
BUS6	6	OV
BUS7	7	OV
BUS8	8	OV
BUS9	9	OV
BUS10	10	OV
BUS11	11	OV
BUS12	12	OV
BUS13	13	OV
BUS14	14	OV
BUS15	15	OV
BUS16	16	OV
BUS17	17	OV
BUS18	18	OV
MIX1	19	OV
MIX2	20	OV
AUX1	21	OV
AUX2	22	OV
AUX3	23	OV
AUX4	24	OV
AUX5	25	OV
AUX6	26	OV
AUX7	27	OV
AUX8	28	OV
AUX9	29	OV
AUX10	30	OV
AUX11	31	OV
AUX12	32	OV
AUX13	33	OV
AUX14	34	OV

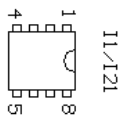
NOTES
 LAST R R187
 LAST C C76



NOTE METER NOT SHOWN
SEE PRO INPUT SCHEMATIC

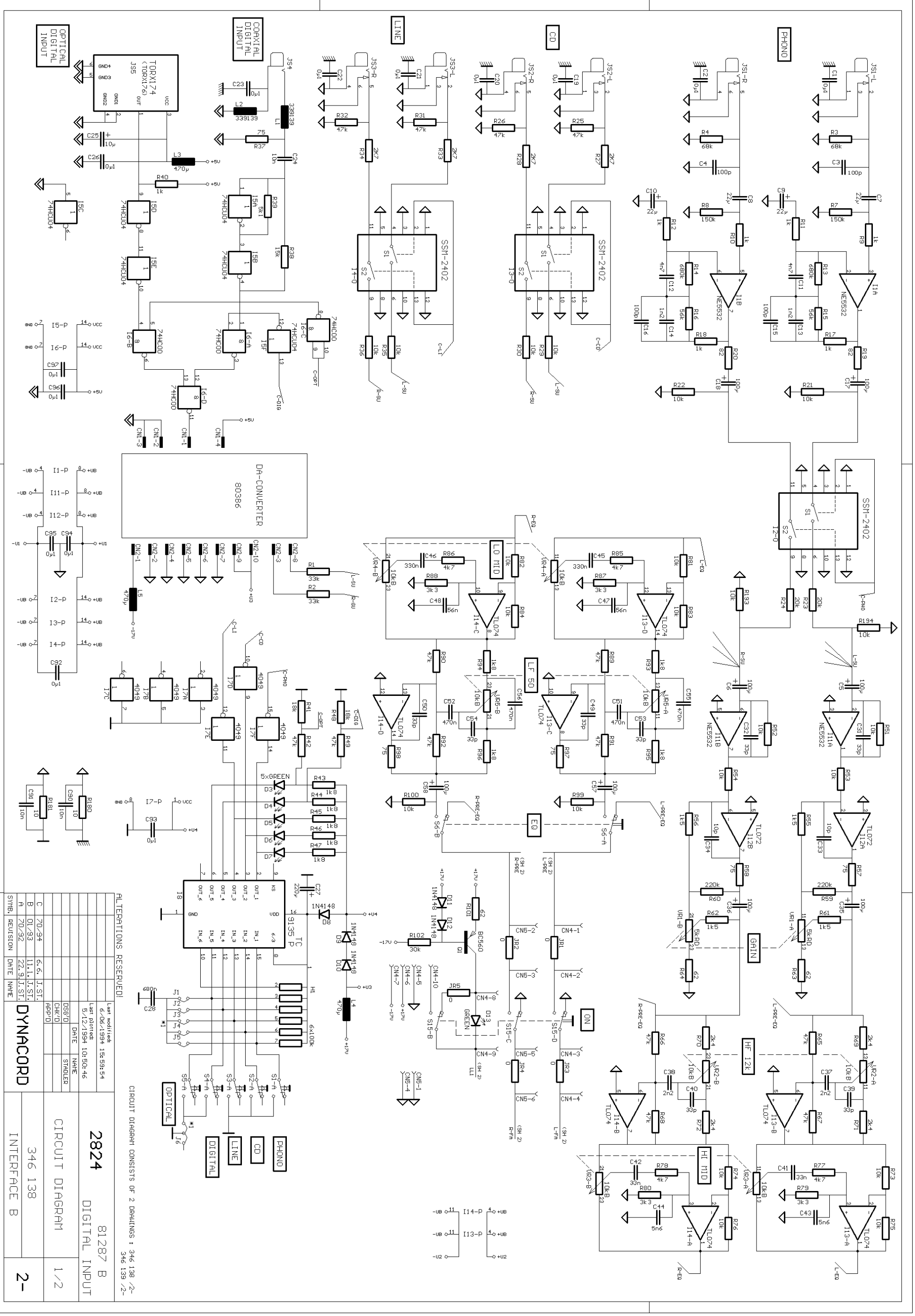


NOTES:
 [] AC VOLTAGE 1000 HZ, MEASURED WITH UTVM
 [!] SAFETY COMPONENT (MUST BE REPLACED BY ORIGINAL PART)



ALTERATIONS RESERVED!

DATE	REVISION	DATE	NAME	Last modified: 11/09/1992 10:45:58	RIAA 81282
A	64/92	11.9.	J.ST.	Last plotted: 12/01/1995 11:11:41	
				DSG'D	CIRCUIT DIAGRAM
				CHK'D	
				APP'D	
DYNACORD					344 459
					INTERFACE
					3-



ALTERATIONS RESERVED!
 Last modified 6/06/1994 15:59:54
 Last printed 5/12/1994 10:50:46
 DATE NAME
 OSF/D
 CHK/D
 HPP/D

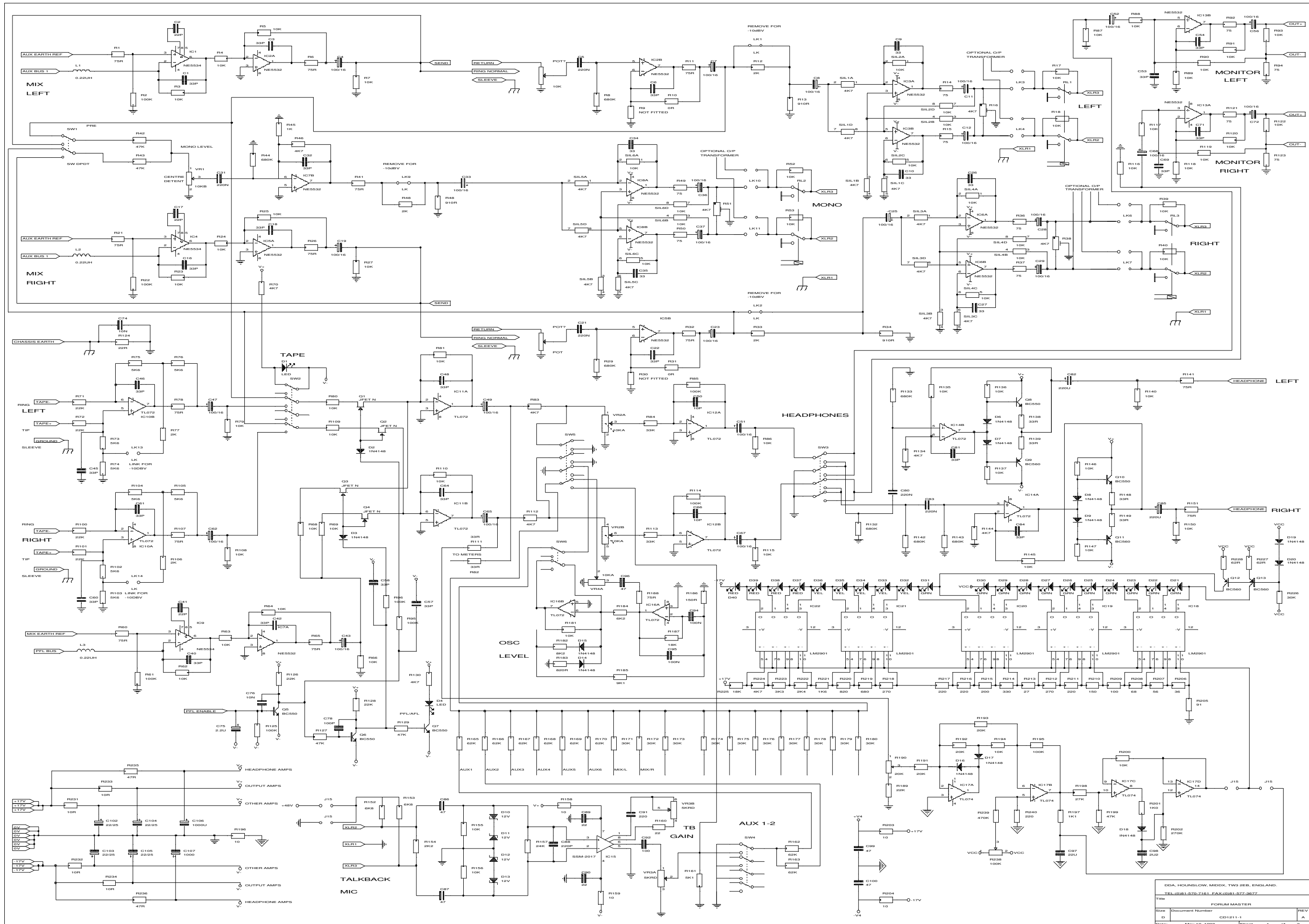
2824 81287 B
 DIGITAL INPUT

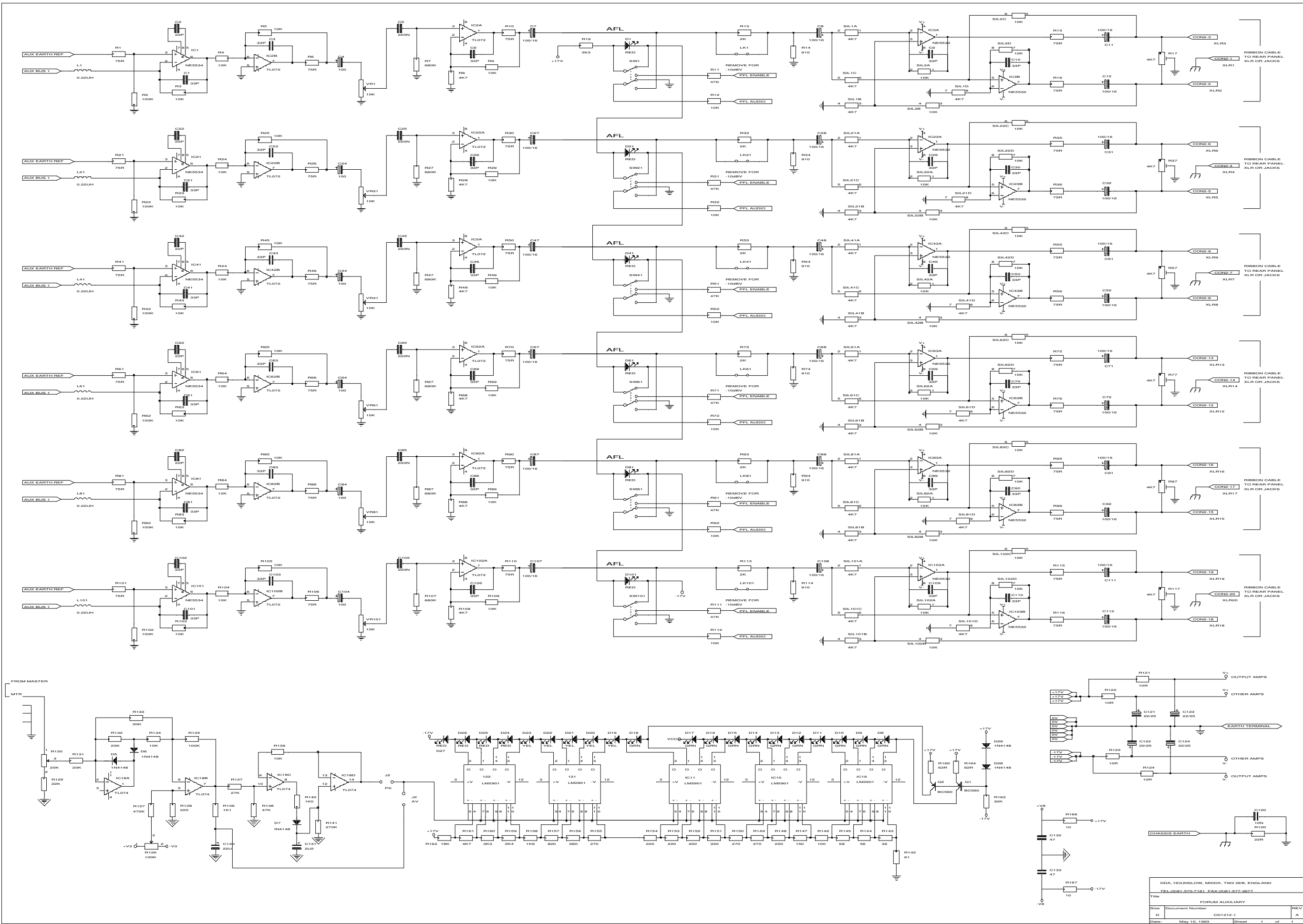
CIRCUIT DIAGRAM 1/2

346 138

DYNACORD

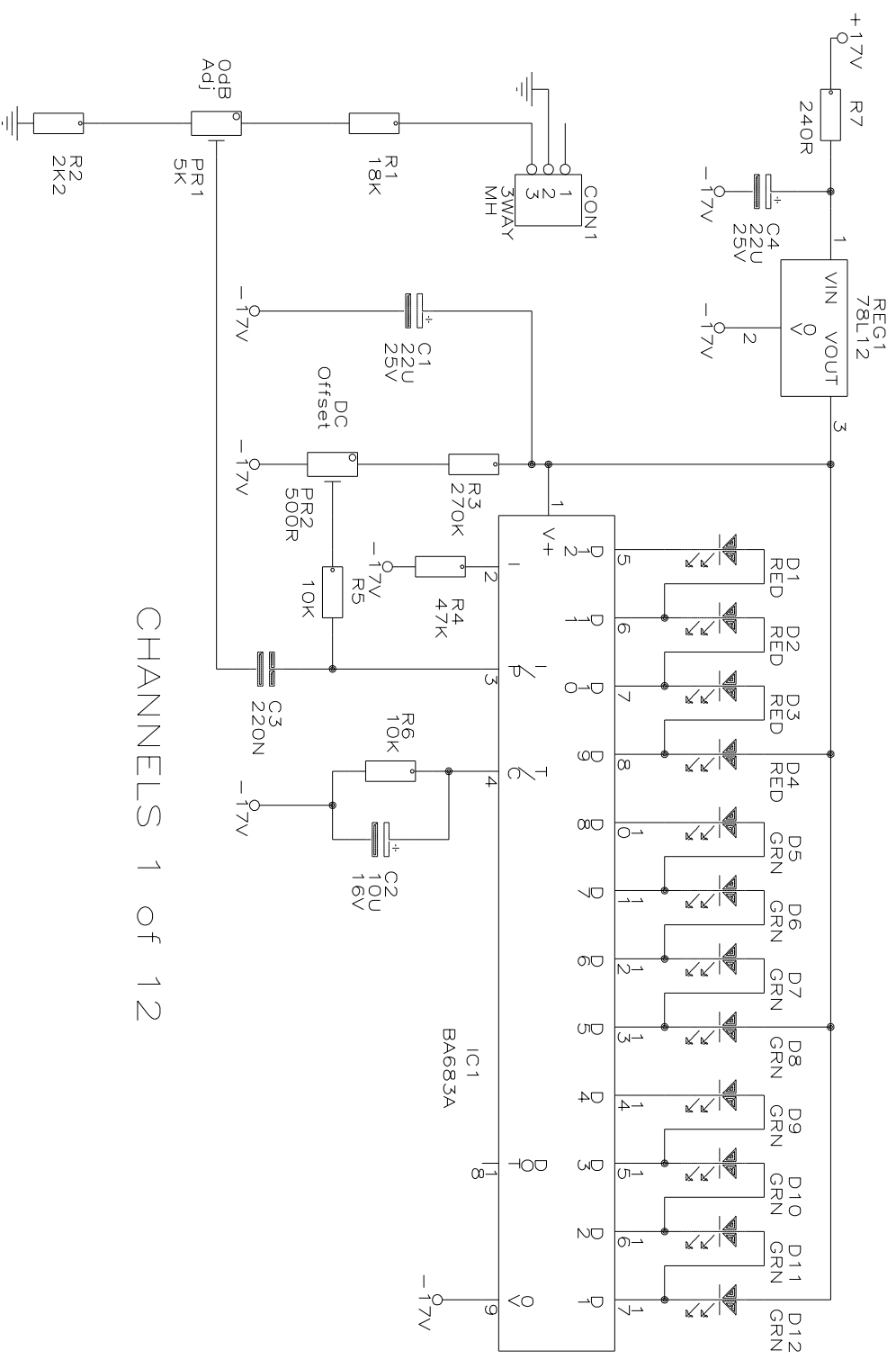
INTERFACE B 2-





DDA, HOUNSLOW, MIDDX, TW3 2EB, ENGLAND
 TEL: (081) 572 7161 FAX: (081) 572 3677

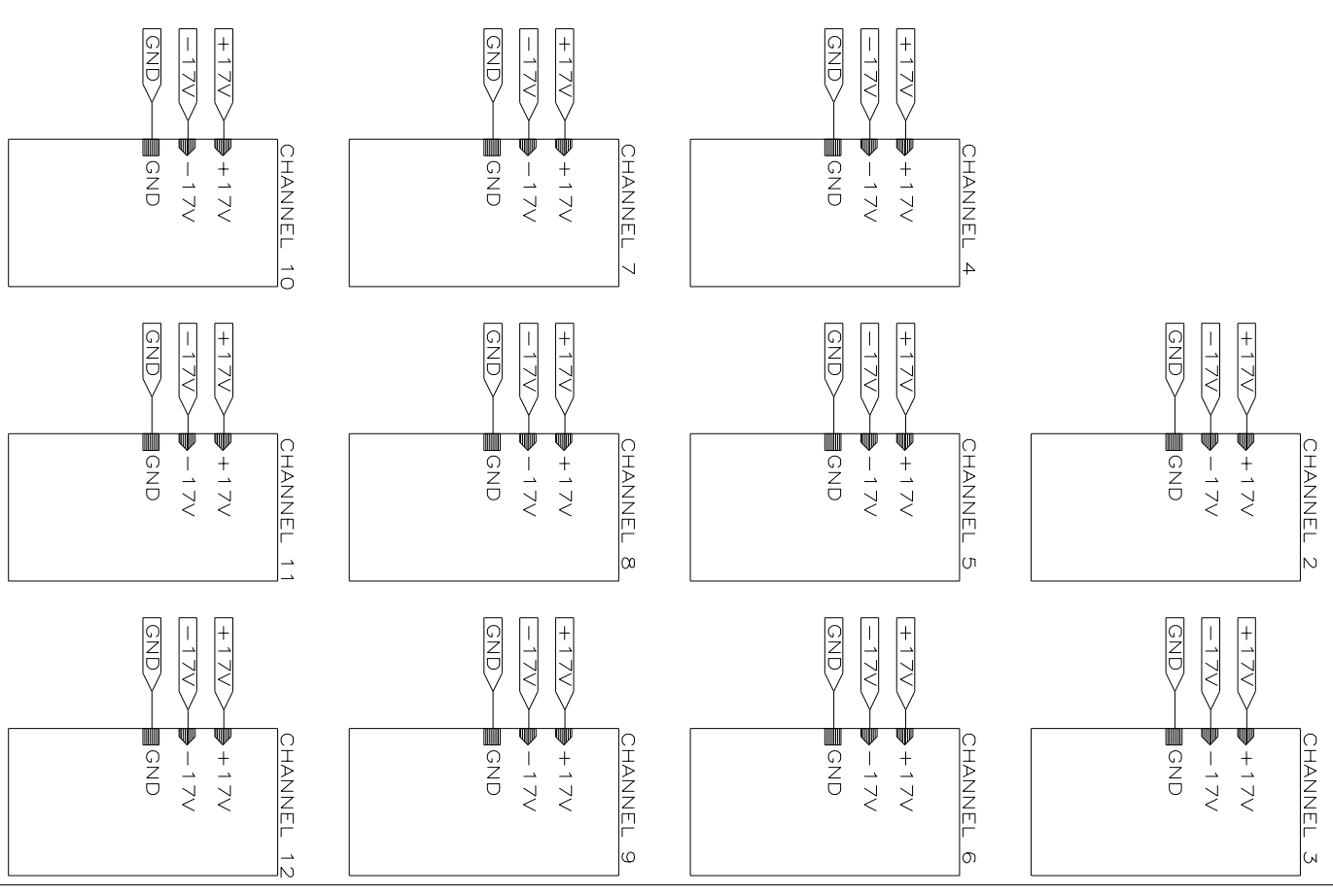
Title: FORUM AUXILIARY
 Size: Document Number: CD1212-1
 Date: May 10, 1993 Sheet 1 of 1

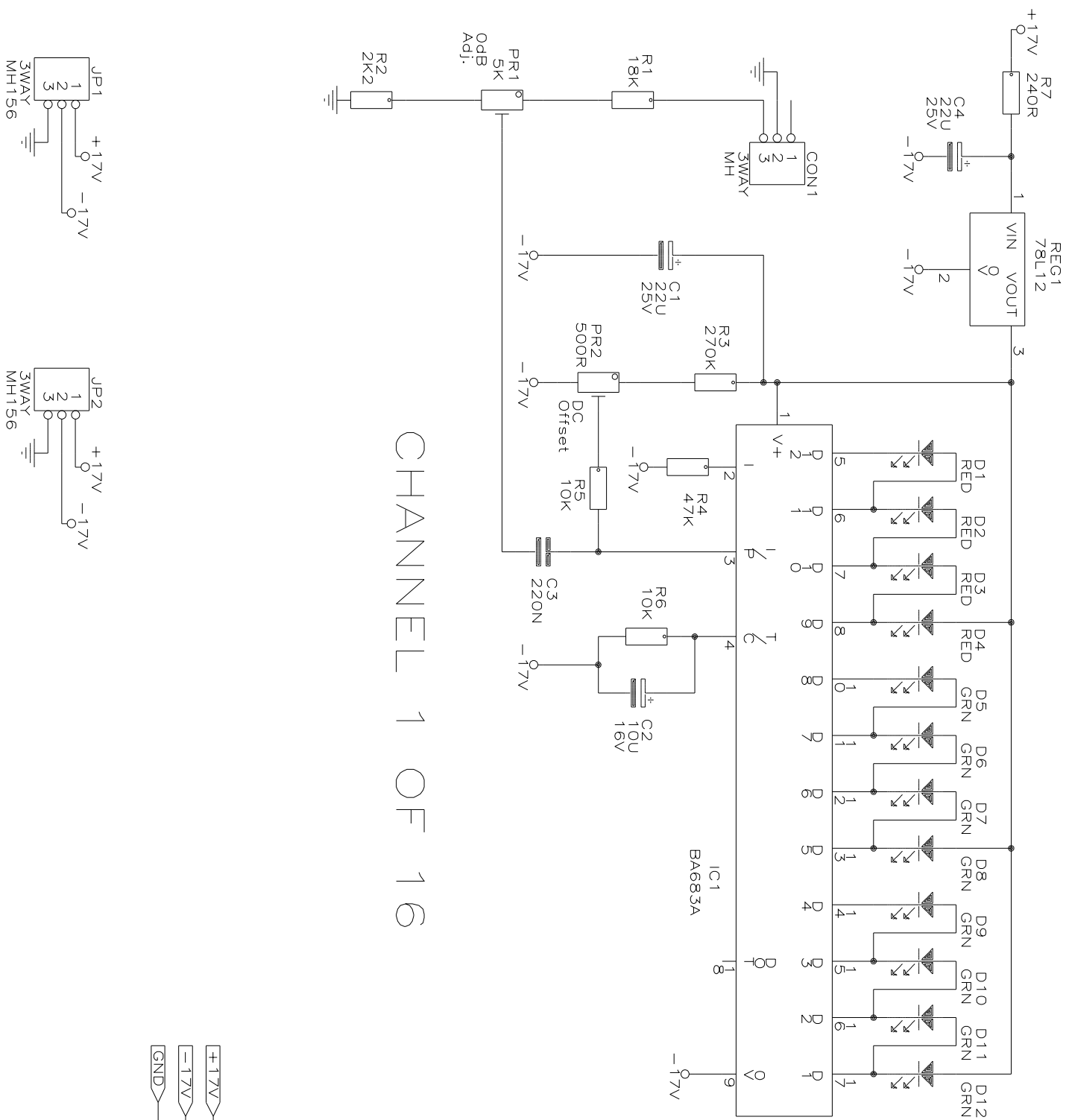


CHANNELS 1 OF 12



Power Input

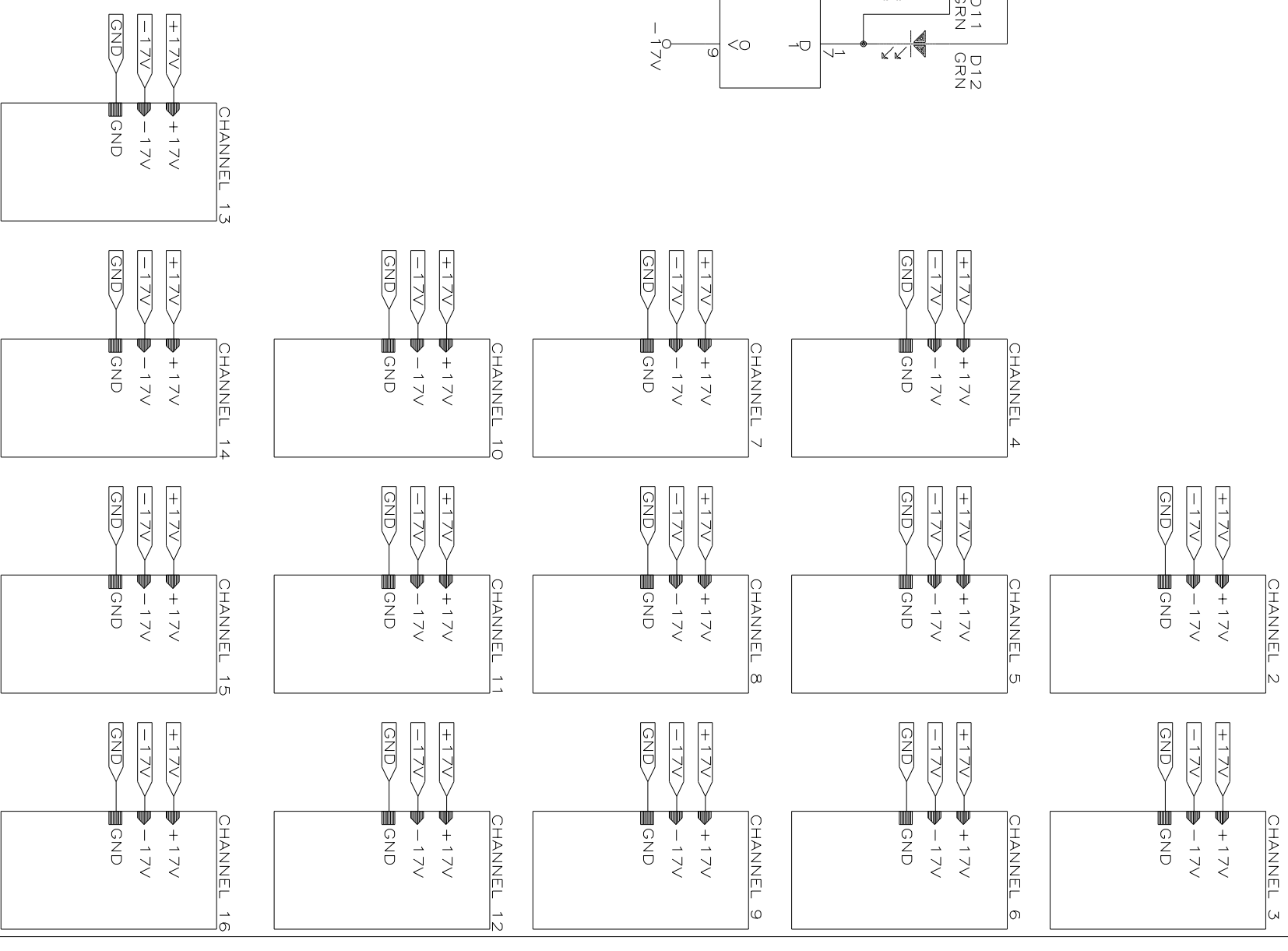


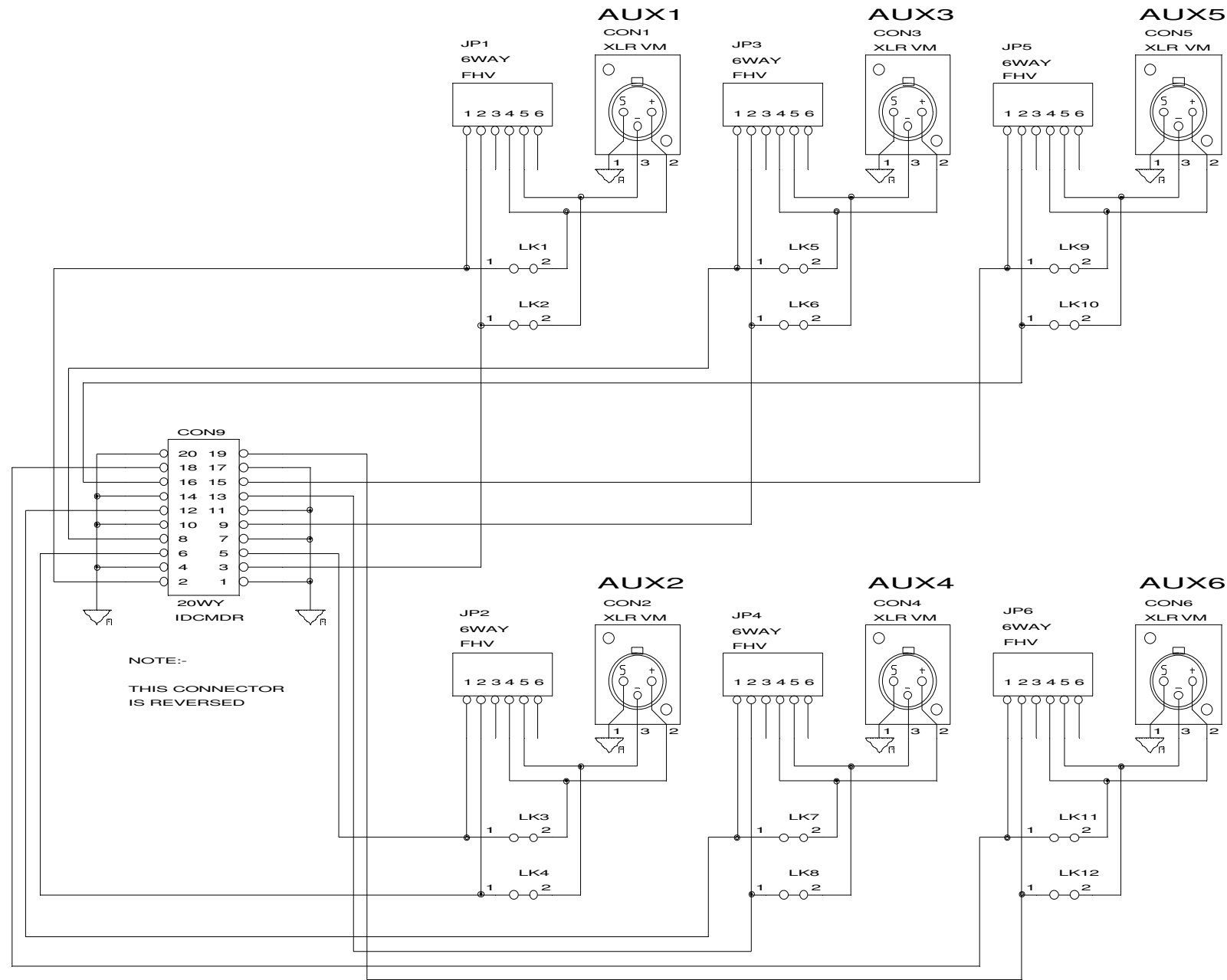


CHANNEL 1 OF 16

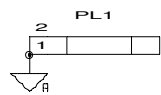


Power Input

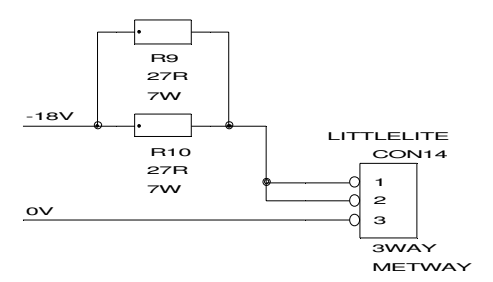
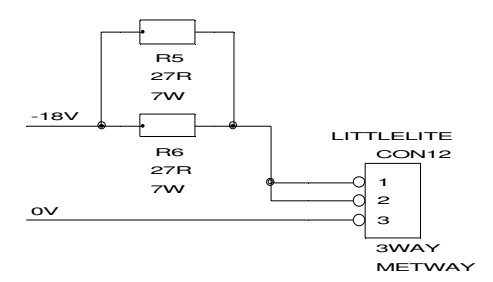
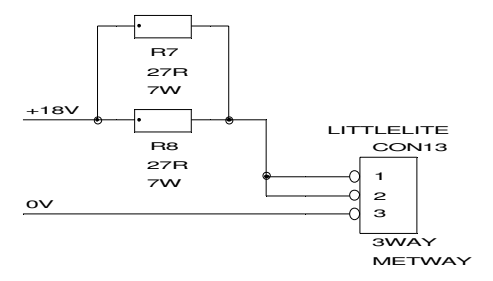
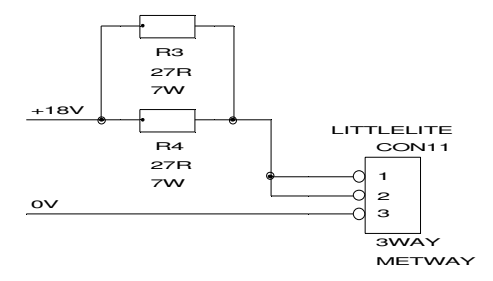
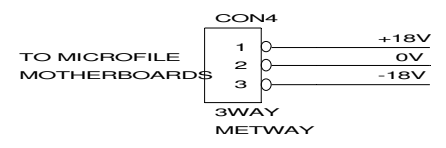
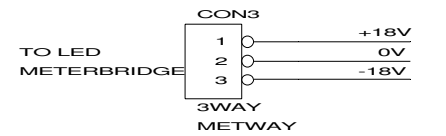
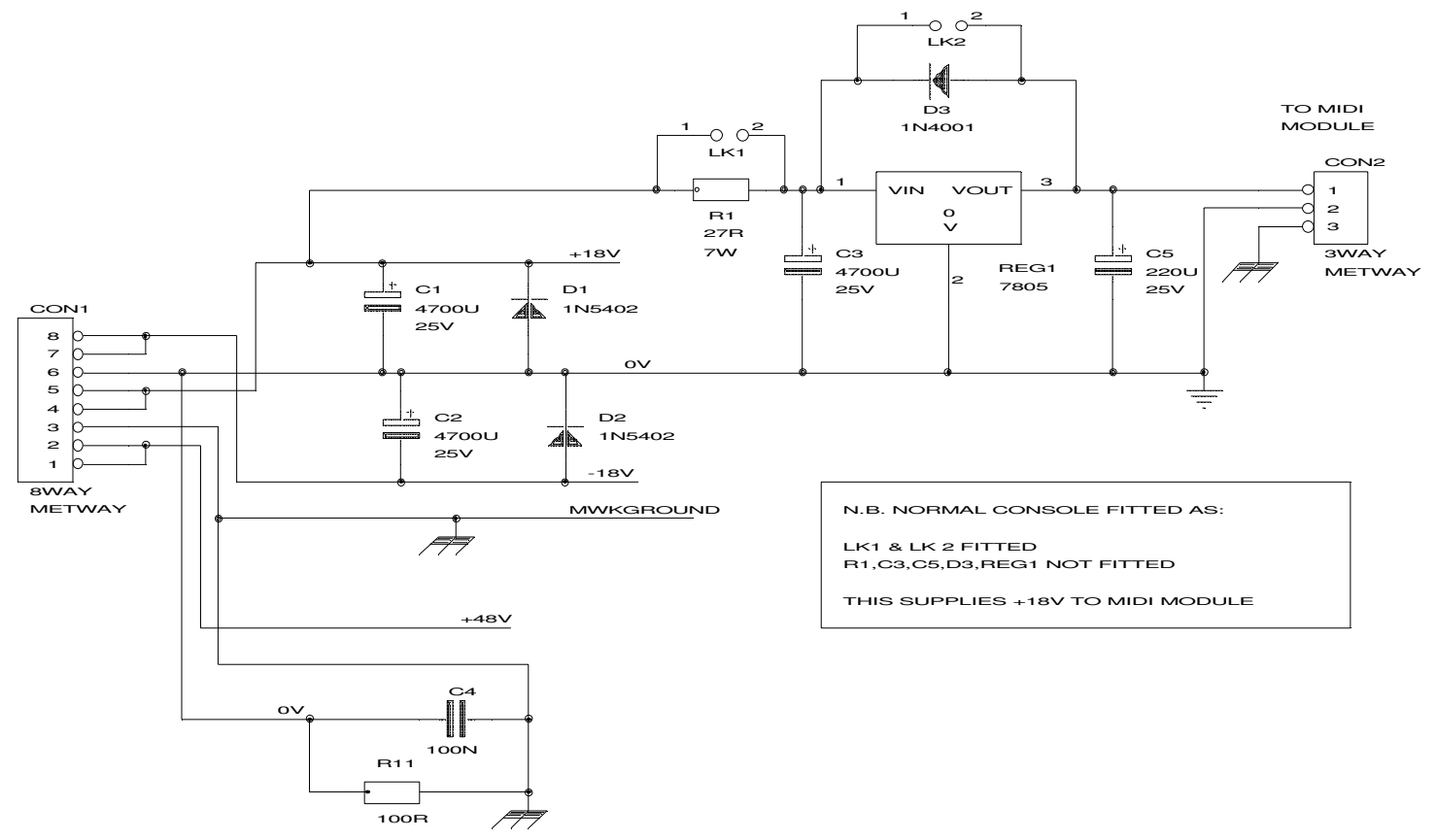




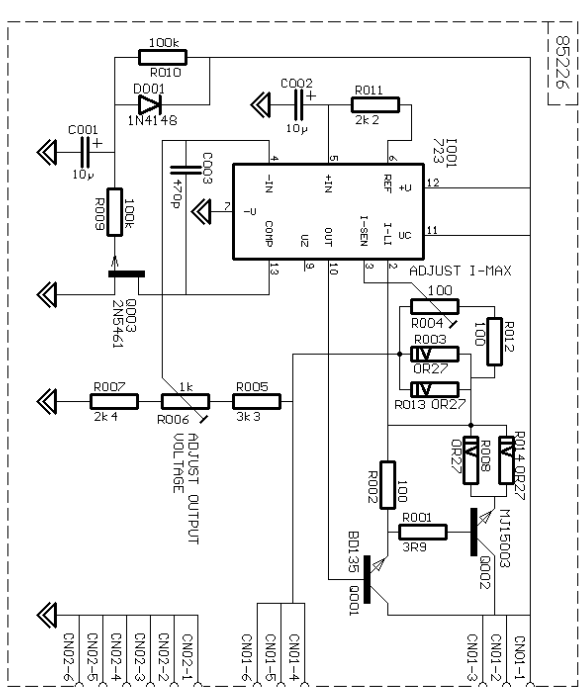
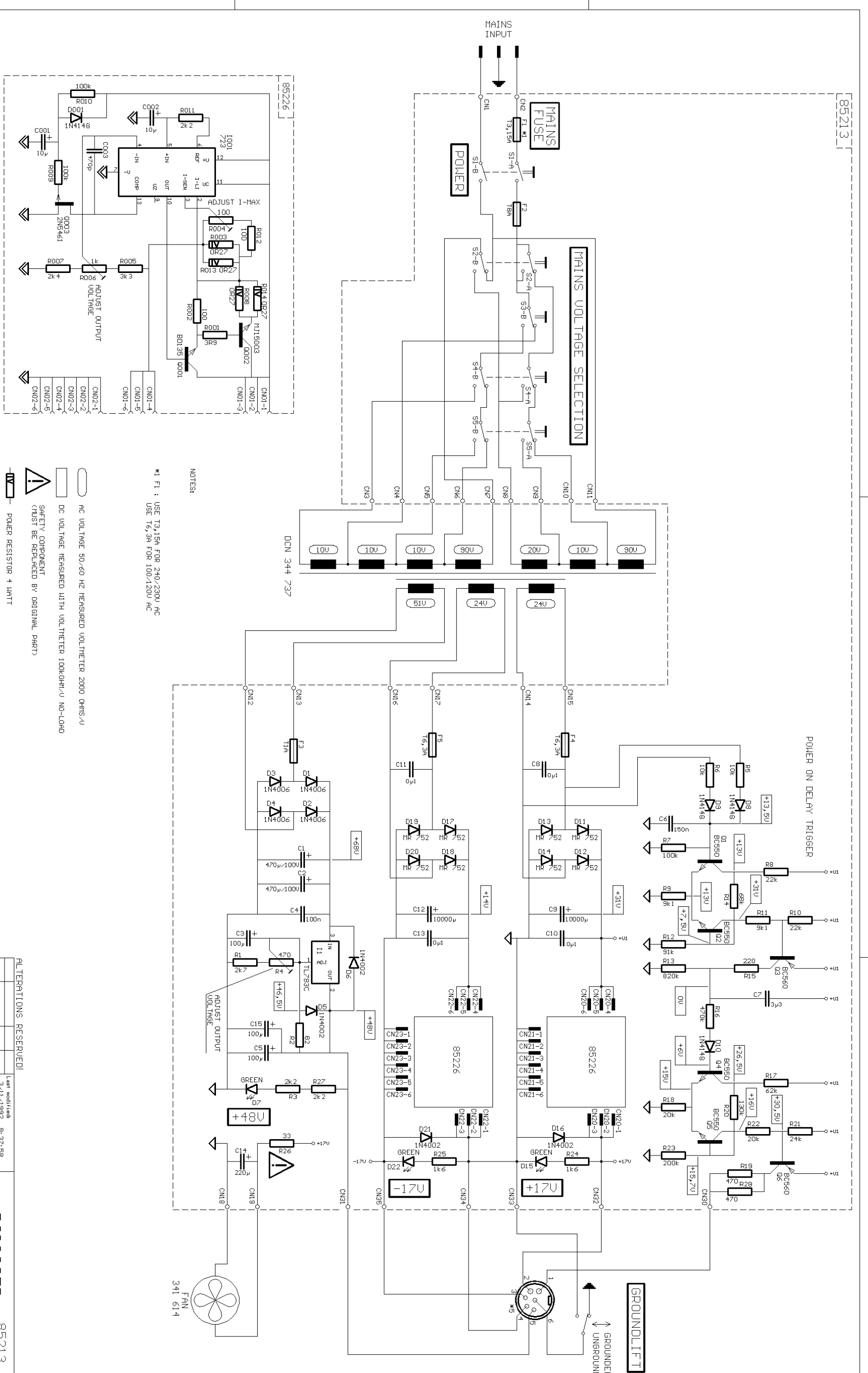
NOTE:-
THIS CONNECTOR
IS REVERSED



DDA, HOUNSLOW, MIDDLESEX, TW3 2EB, ENGLAND		
Title QMR/FORUM AUXILIARY CONNECTOR		
Size B	Document Number CD1193-1 PC1317-1	REV A
Date: August 4, 1993	Sheet 1	of 1

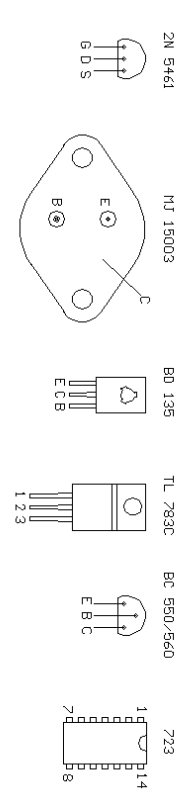


DDA, HOUNSLOW, MIDDX, TW3 2EB, ENGLAND.		
TEL:(0)81-570-7161 FAX:(0)81-577-3677		
Title POWER DISTRIBUTION (PC1357-1)		
Size B	Document Number CD1239-1	REV A
Date: February 14, 1995	Sheet 1	of 1

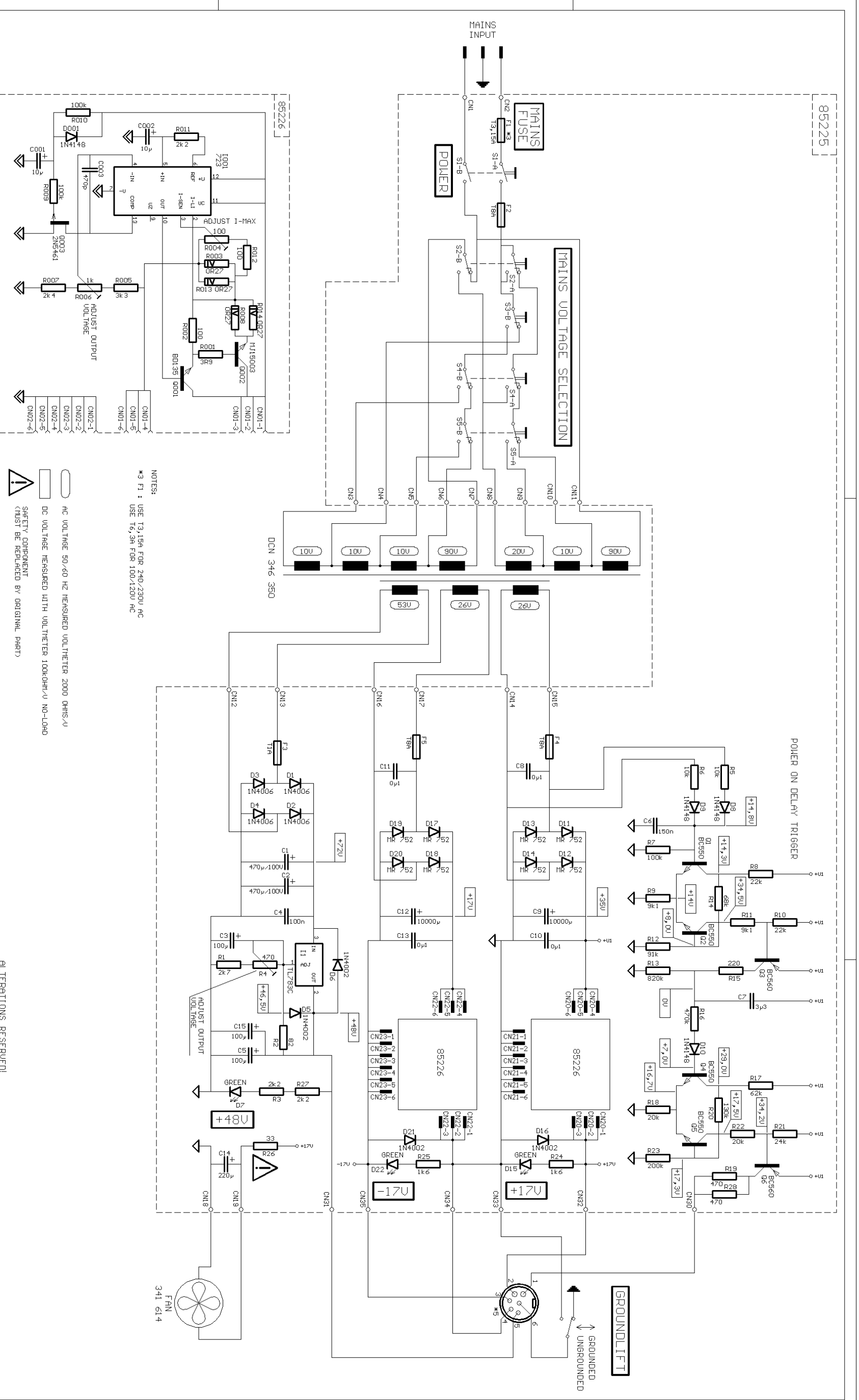


NOTES:
 *1 F1 : USE T3,15A FOR 240/230V AC
 USE T6,3A FOR 100/120V AC

- AC VOLTAGE 50/60 HZ MEASURED VOLTMETER 2000 OHMS/V
- DC VOLTAGE MEASURED WITH VOLTMETER 100KOHM/V NO-LOAD
- SAFETY COMPONENT (MUST BE REPLACED BY ORIGINAL PART)
- POWER RESISTOR + WATT



ALTERATIONS RESERVED!			
3/11/1992	8/37:58	Last modified	
26/08/1994	12:38:32	Last printed	
1981		DATE	NAME
		DSS/D	STADLER
		CHK/D	
		APP/D	
PSI2835B		85213	
85226			
CIRCUIT DIAGRAM			
344 803		1/1	
INTERFACE		2-	



NOTES:
 *3 F1 : USE T3,15A FOR 240/230V AC
 USE T6,3A FOR 100/120V AC

- AC VOLTAGE 50/60 HZ MEASURED VOLTMETER 2000 OHMS/V
- DC VOLTAGE MEASURED WITH VOLTMETER 100KOHM/V NO-LOAD
- SAFETY COMPONENT (MUST BE REPLACED BY ORIGINAL PART)
- POWER RESISTOR 4 WATT
- 2N 5461
- HJ 15003
- B0 135
- TL 783C
- BC 550/560
- 723
- GDS
- E C B
- E B C
- 1 2 3
- 1 4 14

ALTERATIONS RESERVED!

Last modified		8/09/1992	10-32:12	PSI2860	85225
Last printed		5/12/1994	10-45:54		
1992	DATE	NAME		CIRCUIT DIAGRAM	1/1
DSS/D	CHK/D	STADLER			
APP/D					
DYNACORD				346 353	2-
INTERFACE					