

CS8

Schematics

Klark Teknik Building
Walter Nash Road
Kidderminster
Worcestershire
DY11 7HJ

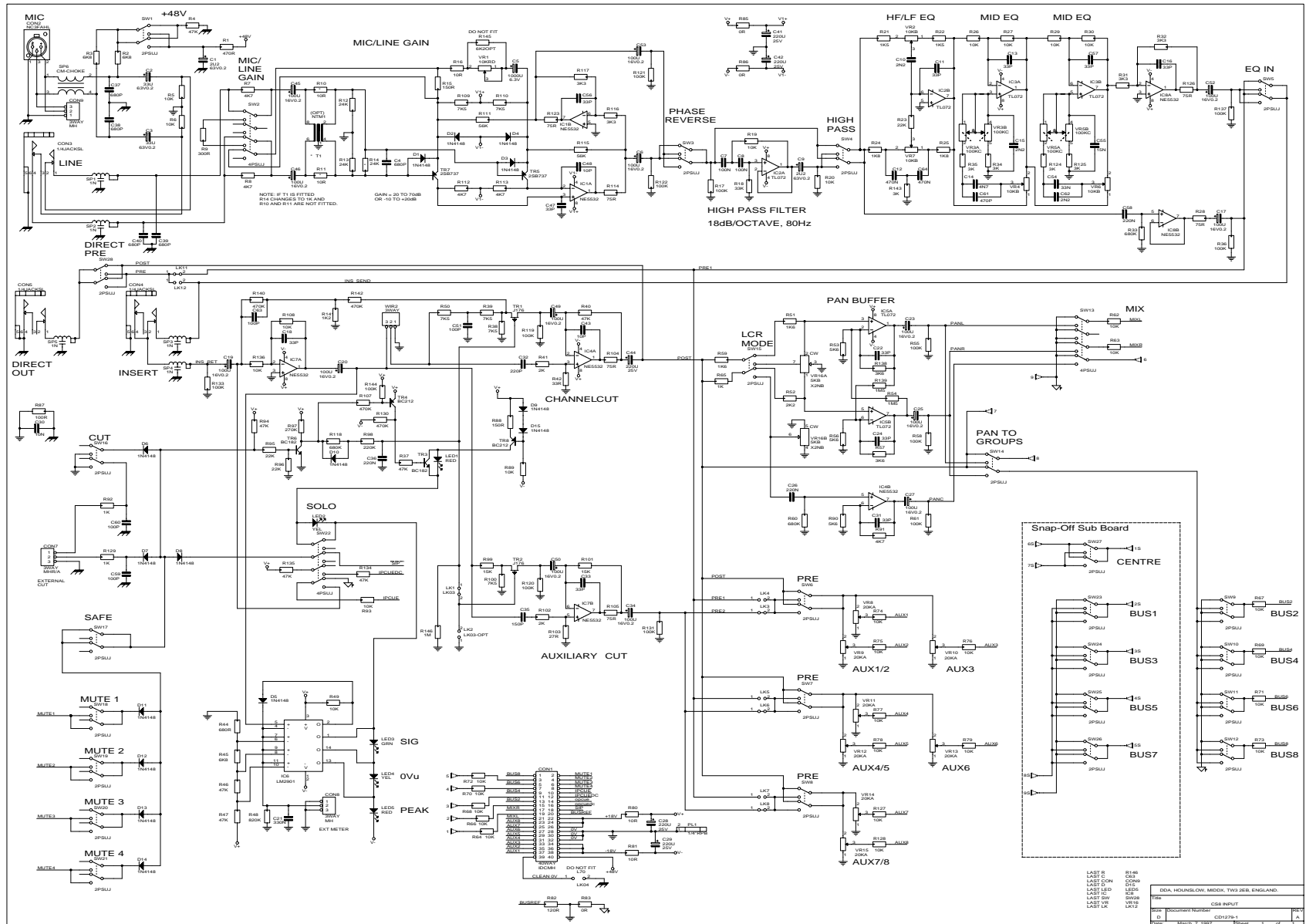
Tel: +44 (0) 1562 741515
Fax: +44 (0) 1562 745371

Email: info@uk.telex.com
Website: www.ddaconsole.com

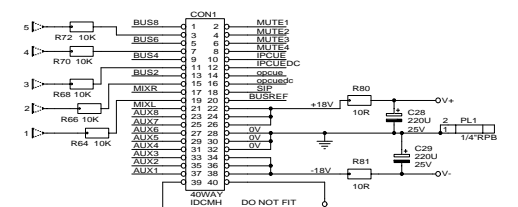
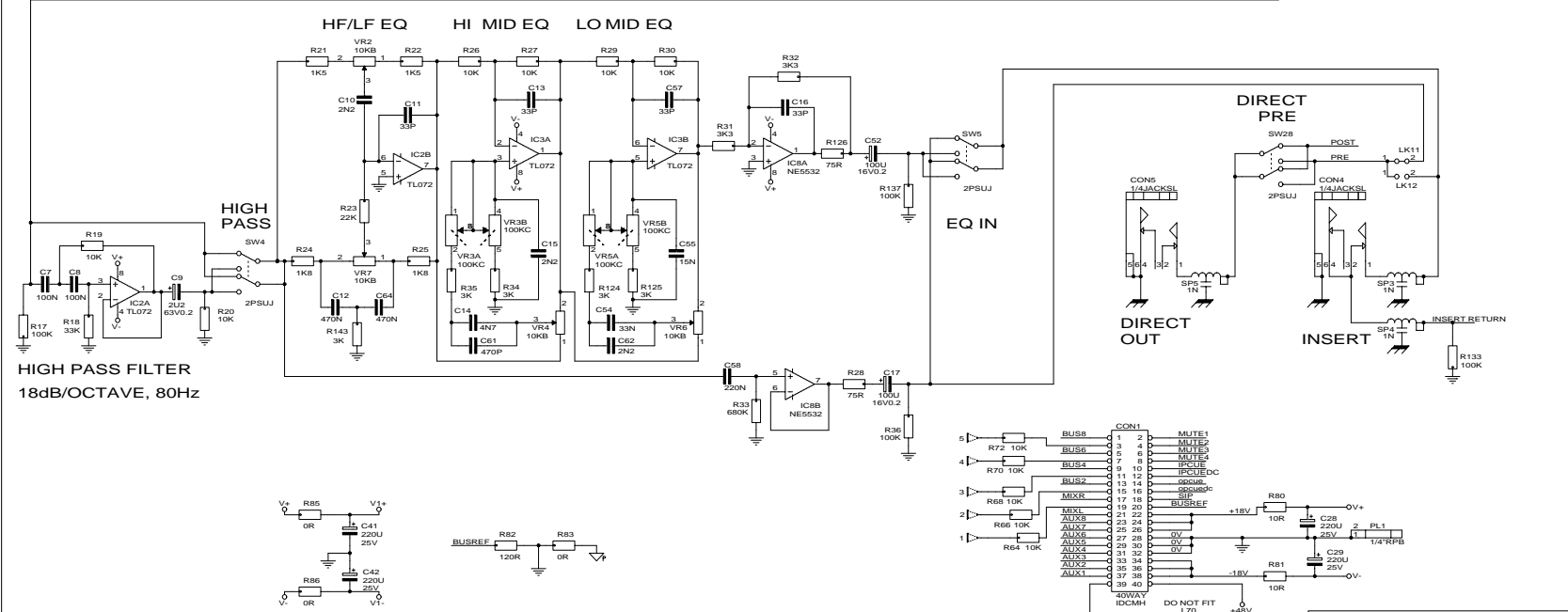
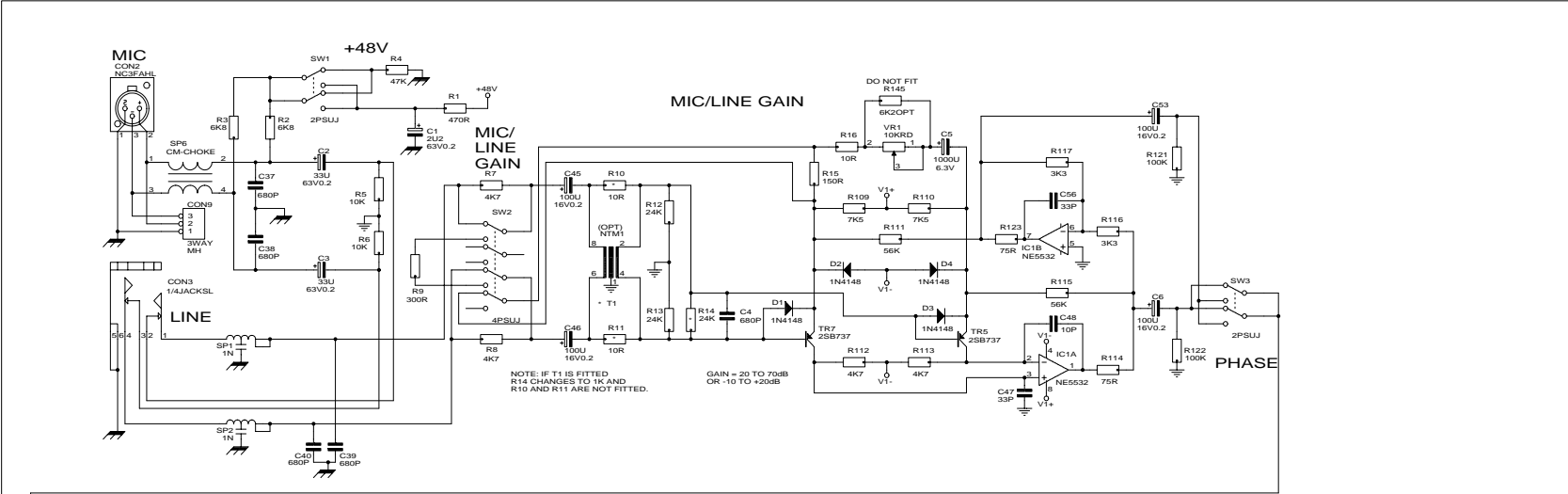
CS8 Schematics
© Telex Communications (UK) Limited

In line with the company's policy of continual improvement, specifications and function maybe subject to change without notice. This Operator Manual was correct at the time of writing. E&OE.

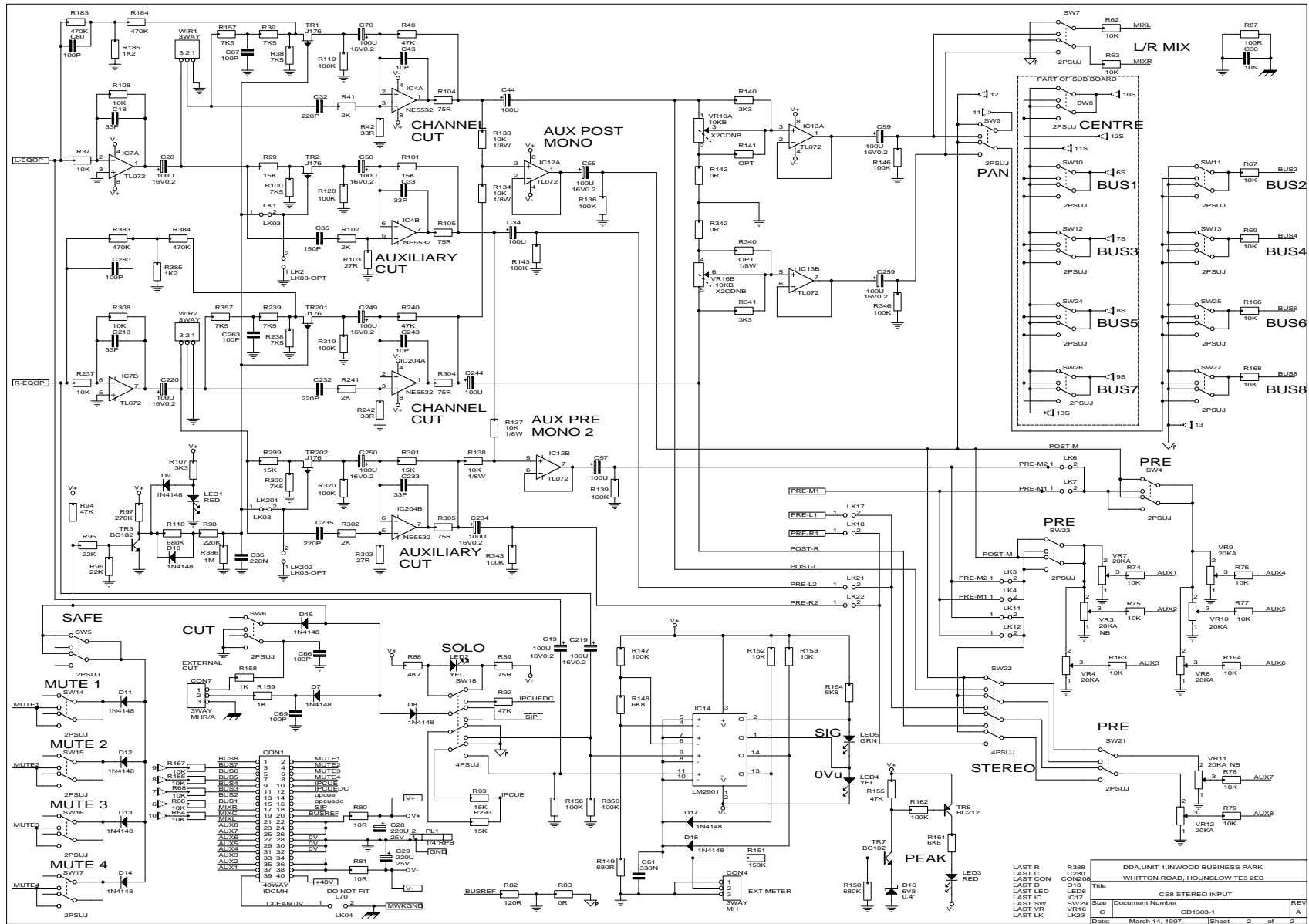
This drawing is split across the following two pages to aid readability.



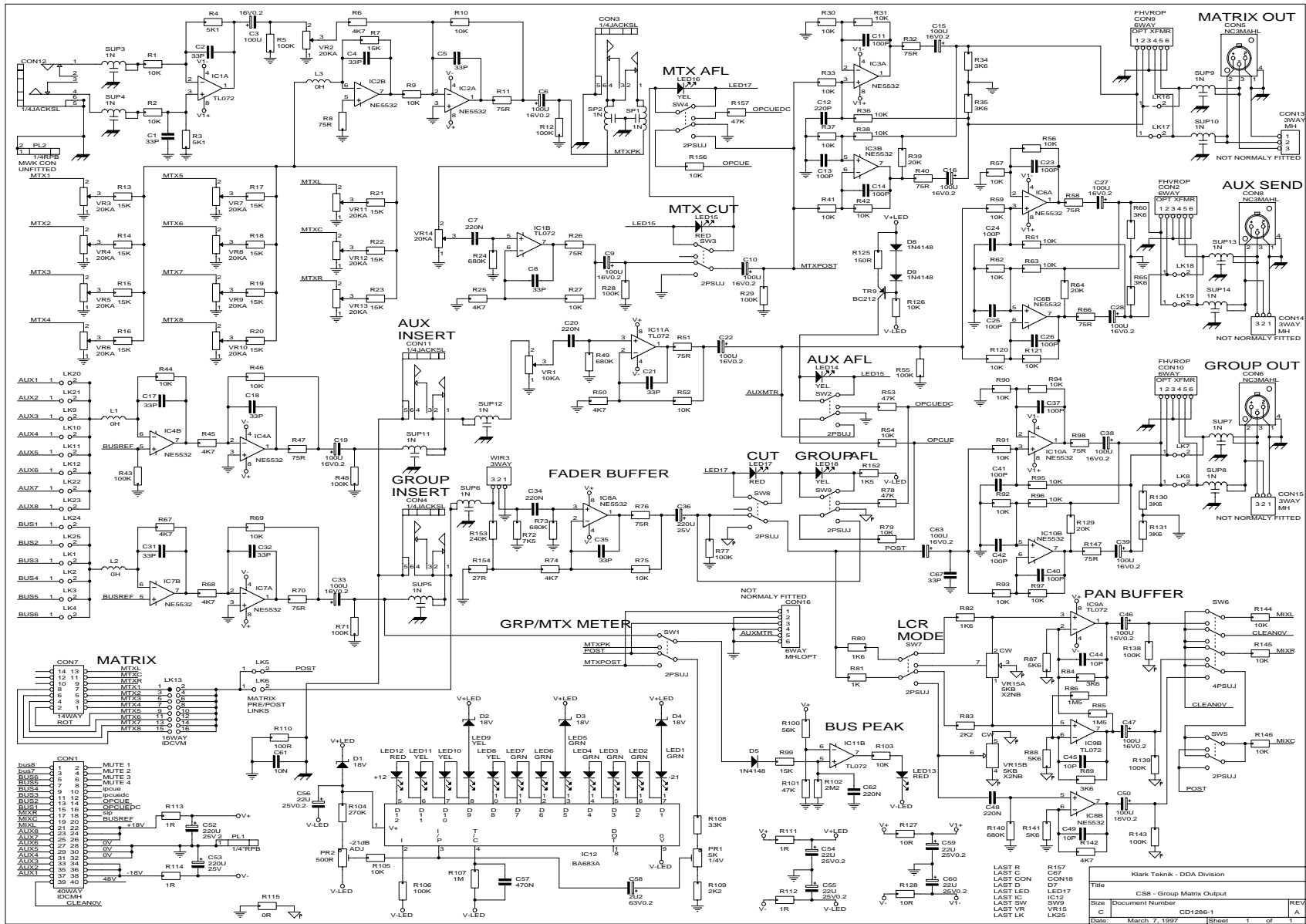
LAST P	R146
LAST C	Q43
LAST CON	CD009
LAST D	LE55
LAST DI	W608
LAST DW	W608
LAST LK	LF12
DA HOUNLOW MIDD, TW9 2EB, ENGLAND	
Title	
CS8 INPUT	
Doc No	
CD1276-1	
Date	
02/12/76	
Rev	
1	
A	



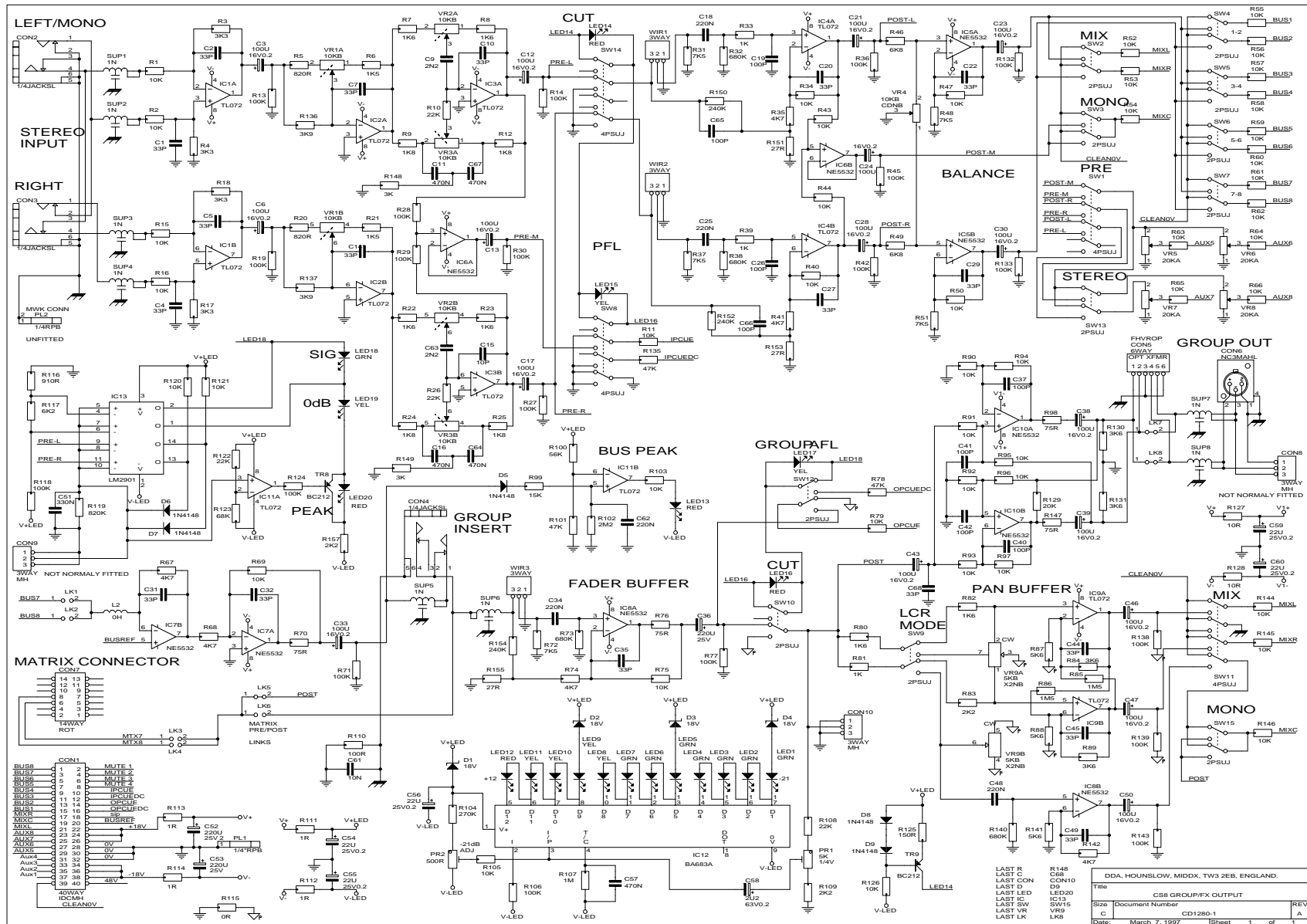
Klarck Teknik - DDA Division			
Title	C88 - MONO INPUT SHEET 1	REV	
Size	Document Number		
C	CD1279-1		A
Date:	April 29, 1997	Sheet	1 of 2



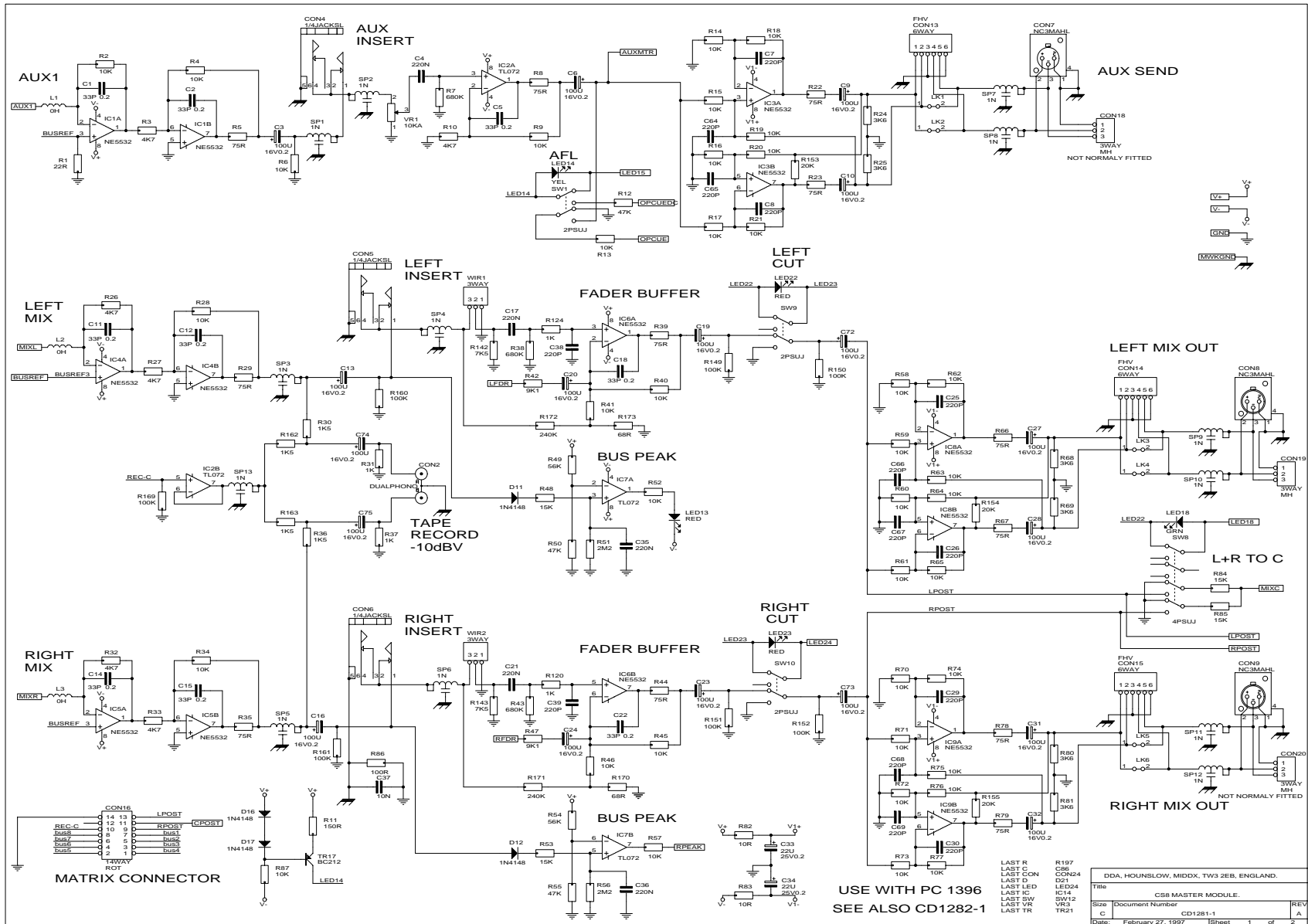
LAST R	R388	DDA UNIT 1, INWOOD BUSINESS PARK
LAST C	C282	WHITTON ROAD, HOUNSLOW, TS3 2EB
LAST CON	CON208	
LAST D	D18	
LAST LED	LED4	
LAST IC	IC17	
LAST SW	SW20	
LAST VR	VR10	
LAST LK	LK23	
Title	C81 STEREO INPUT	
Sheet	1	
Document Number	CD1303-1	
Date	March 14, 1997	
Sheet	2	of 2



Title			CS8 - Group Matrix Output	REV	A
Size	Document Number	CD1286-1		Date	March 7, 1997
Date	March 7, 1997	Sheet	1	of	1



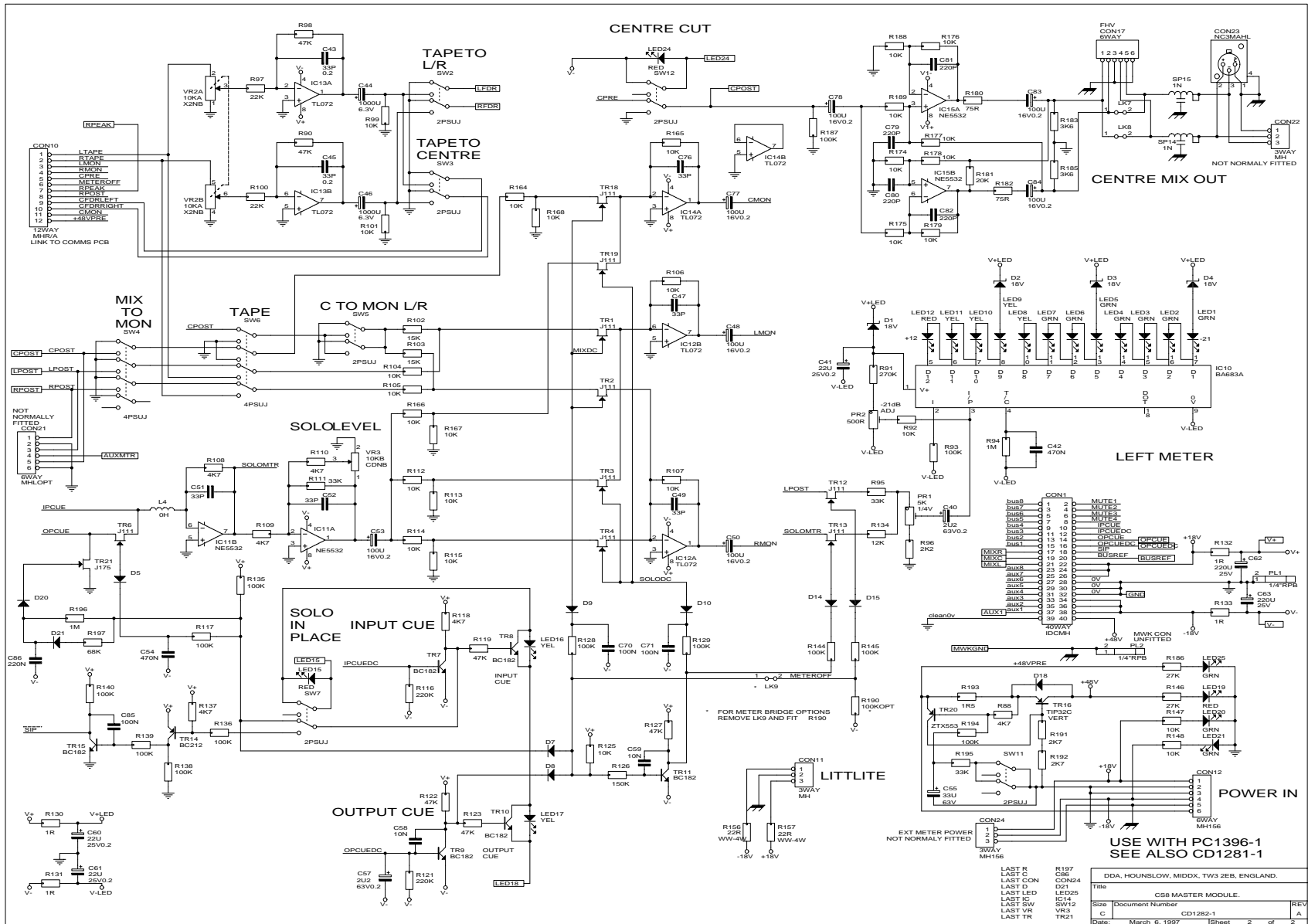
DDA, HOUNSLOW, MIDDX, TW3 2EB, ENGLAND.			
Title	CS8 GROUP/FX OUTPUT		
Size	Document Number	REV	A
C	CD1280-1	Sheet	1 of 1
Date	March 7, 1997		

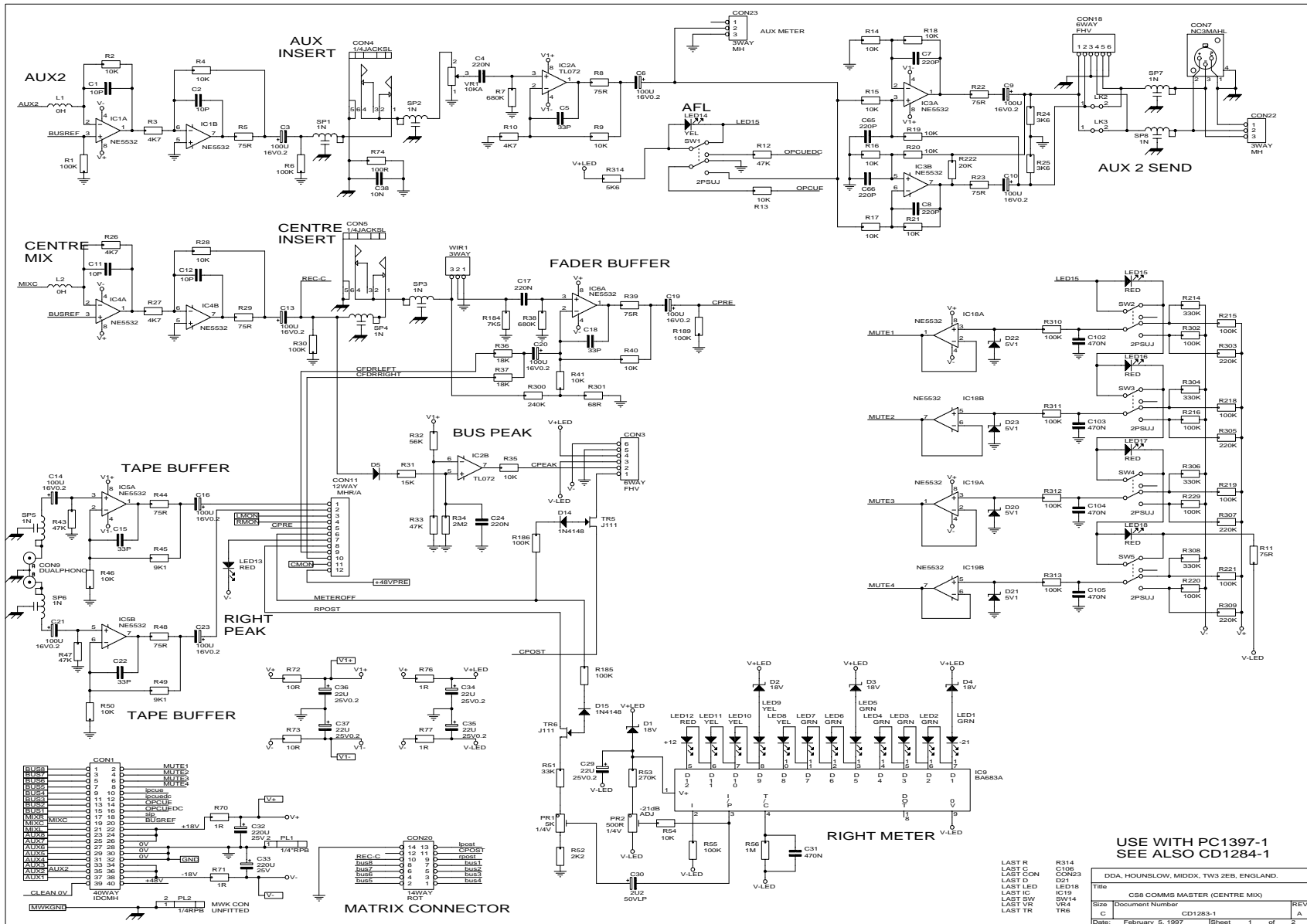


USE WITH PC 1396
SEE ALSO CD1282-1

LAST R R197
LAST C C86
LAST CN CON24
LAST D D21
LAST LED LED24
LAST IC IC14
LAST SW SW12
LAST TR TR21

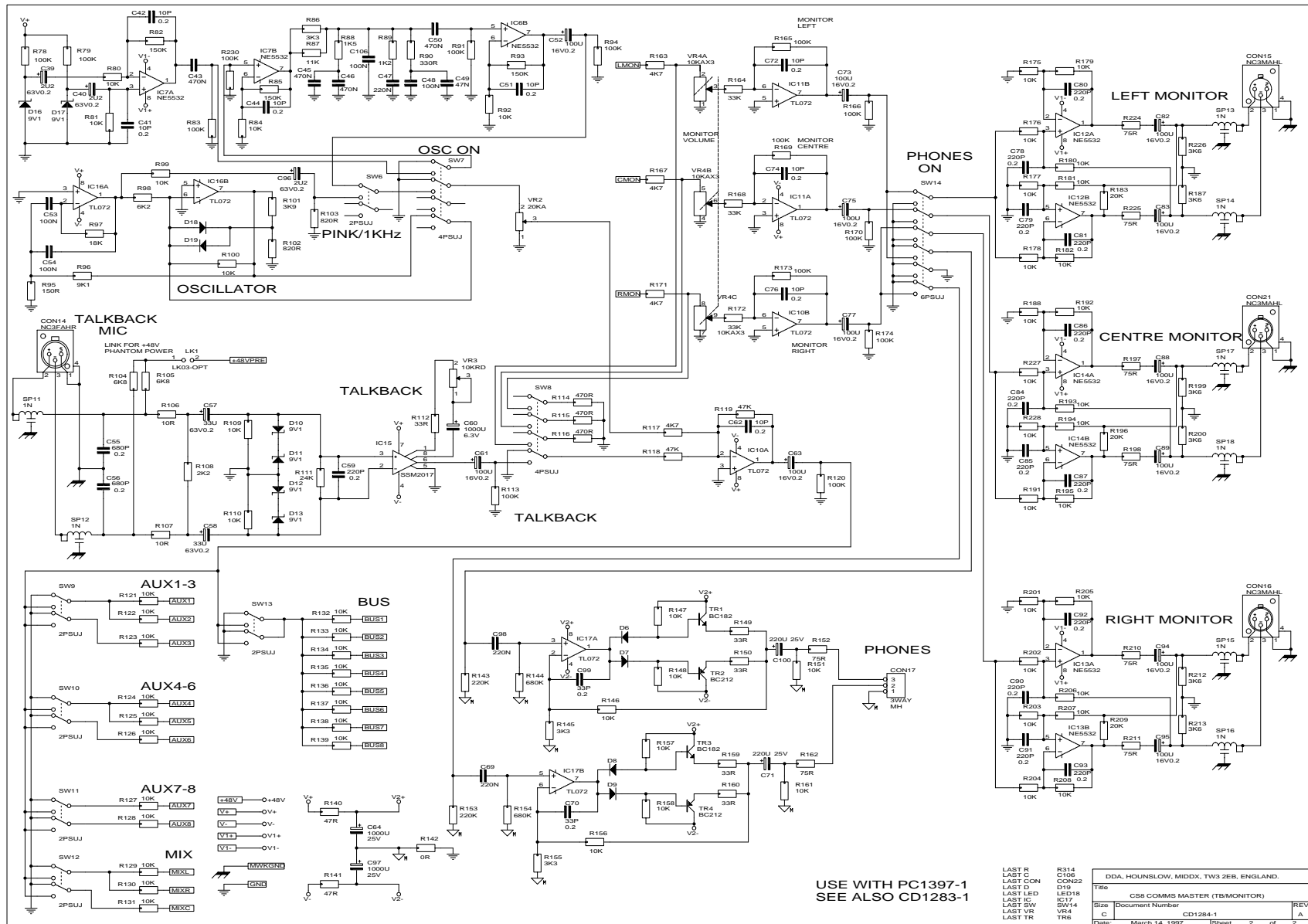
DDA, HOUNSLOW, MIDX, TW3 2EB, ENGLAND.	
Title	CS8 MASTER MODULE.
Size	Document Number
C	CD1281-1
Date	February 27, 1997
Sheet	1 of 2





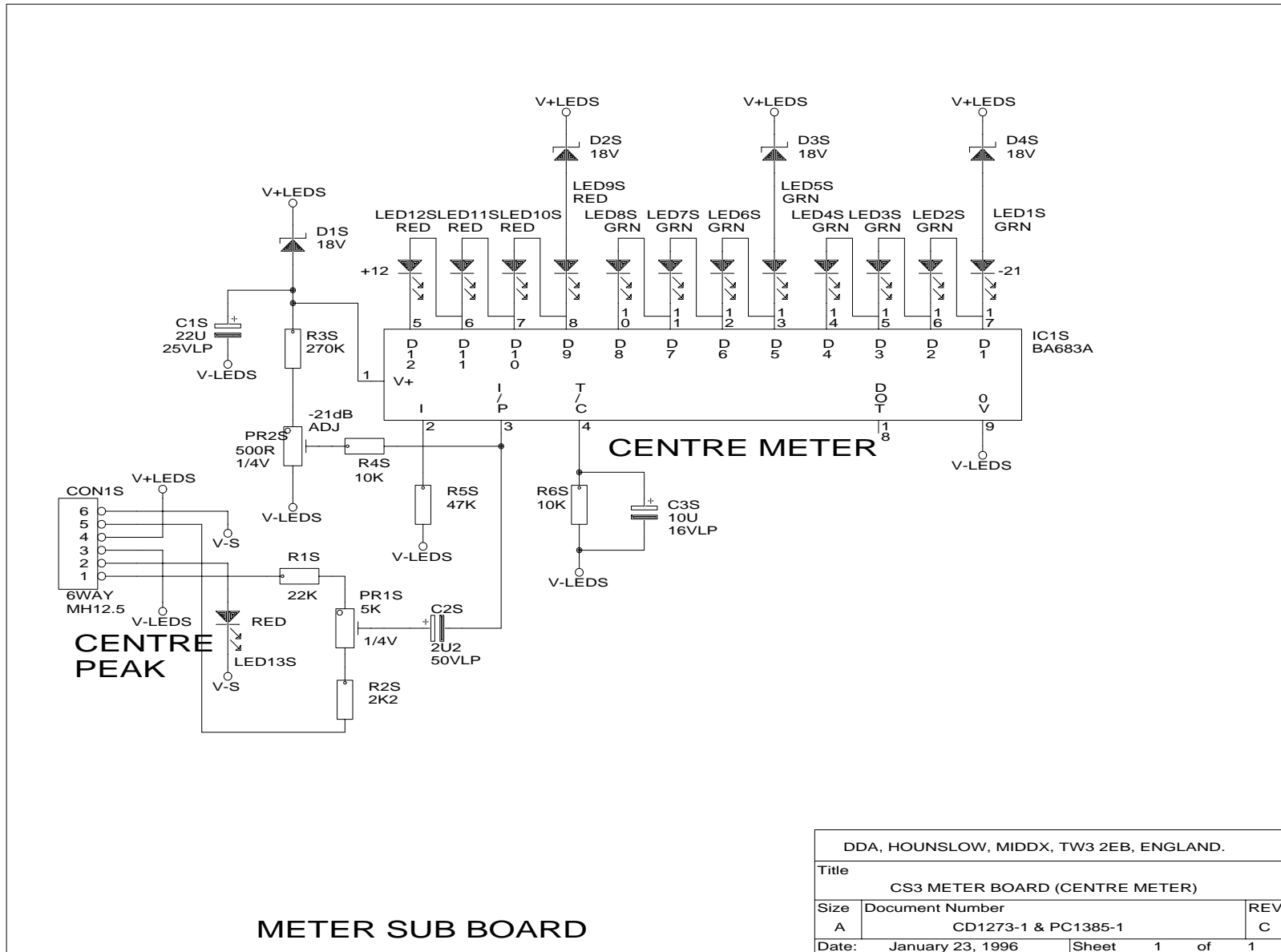
USE WITH PC1397-1
SEE ALSO CD1284-1

DDA, HOUNSLOW, MIDDX, TW3 2EB, ENGLAND.	
Title	CS8 COMMS MASTER (CENTRE MIX)
Size	Document Number
C	CD1283-1
Date	February 5, 1997
Sheet	1 of 2
REV	A



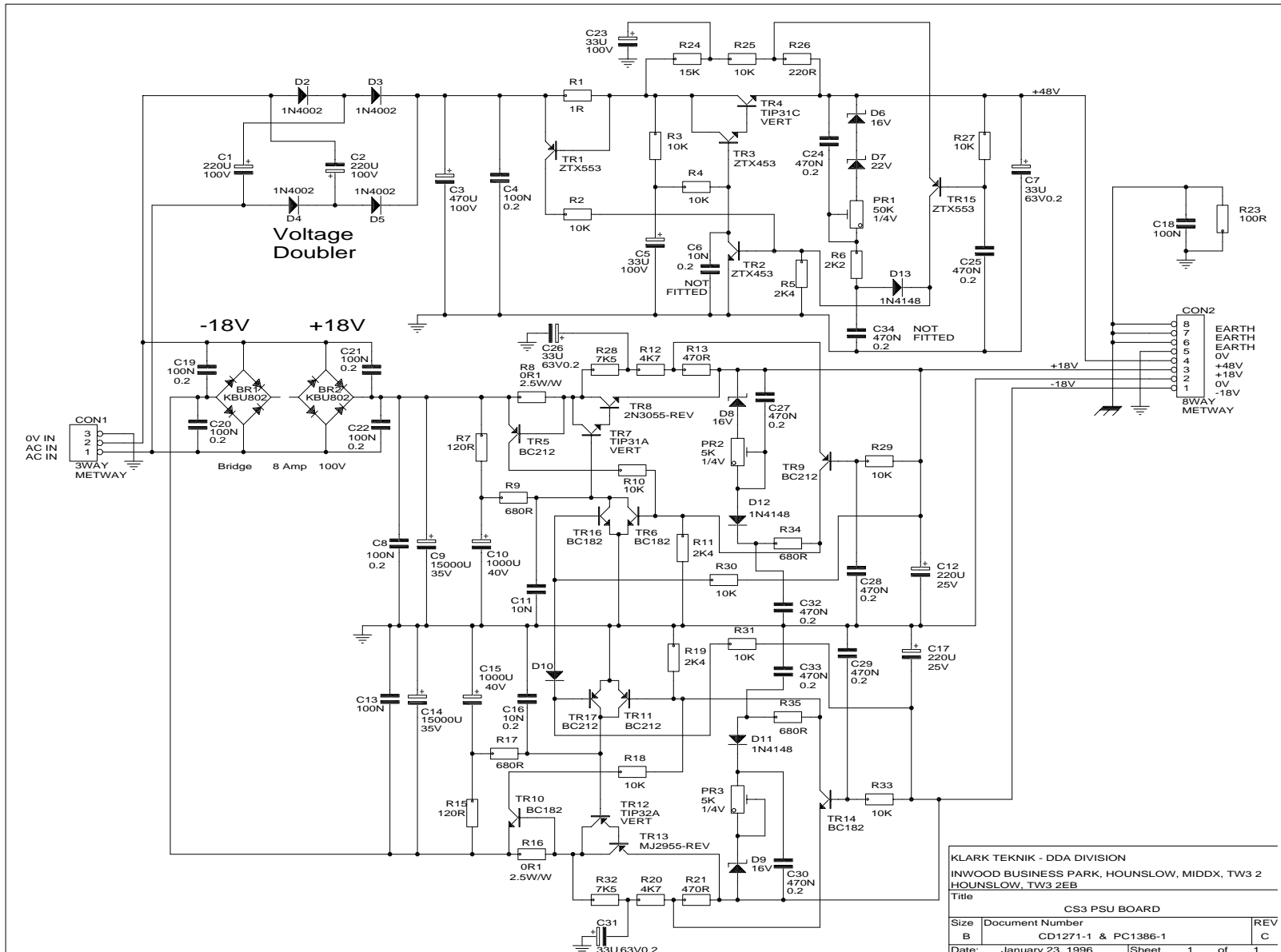
LAST R	R314		
LAST C	C106		
LAST CON	CON22		
LAST D	D19		
LAST IC	IC17B		
LAST SW	SW14		
LAST VR	VR4		
LAST TR	TR6		

DDA, HOUNSLOW, MIDD, TW3 2EB, ENGLAND.			
Title	CS8 COMMS MASTER (TB/MONITOR)		
Size	Document Number	SW14	REV
C	CD1284-1		A
Date	March 14, 1997	Sheet	2 of 2



METER SUB BOARD

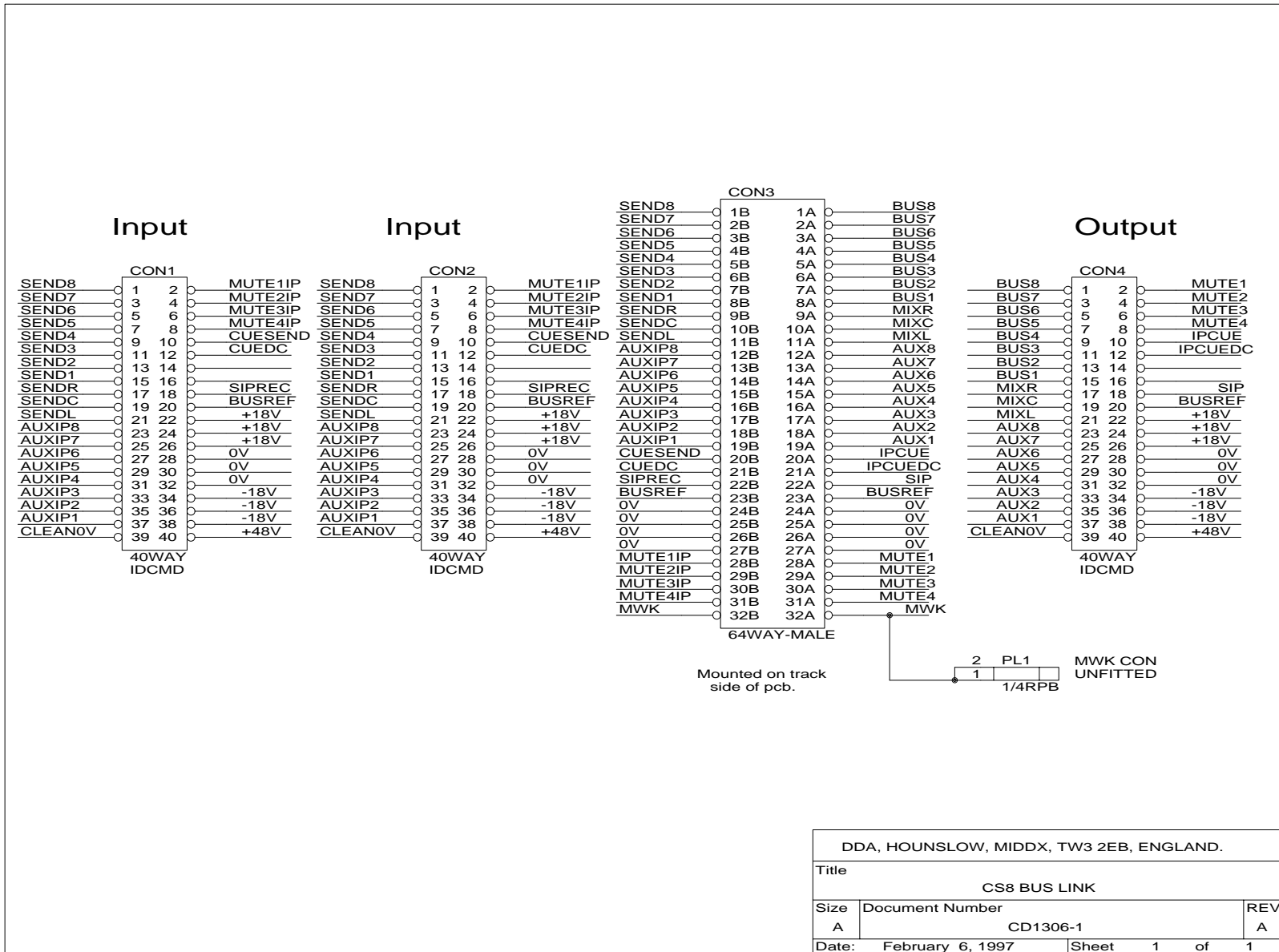
DDA, HOUNSLOW, MIDDX, TW3 2EB, ENGLAND.		
Title CS3 METER BOARD (CENTRE METER)		
Size A	Document Number CD1273-1 & PC1385-1	REV C
Date:	January 23, 1996	Sheet 1 of 1



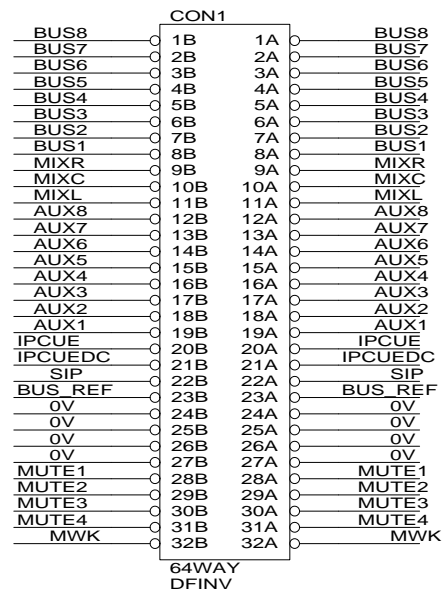
KLARK TEKNIK - DDA DIVISION
 INWOOD BUSINESS PARK, HOUNSLOW, MIDDX, TW3 2
 HOUNSLOW, TW3 2EB

Title CS3 PSU BOARD

Size	Document Number	REV
B	CD1271-1 & PC1386-1	C
Date:	January 23, 1996	Sheet 1 of 1

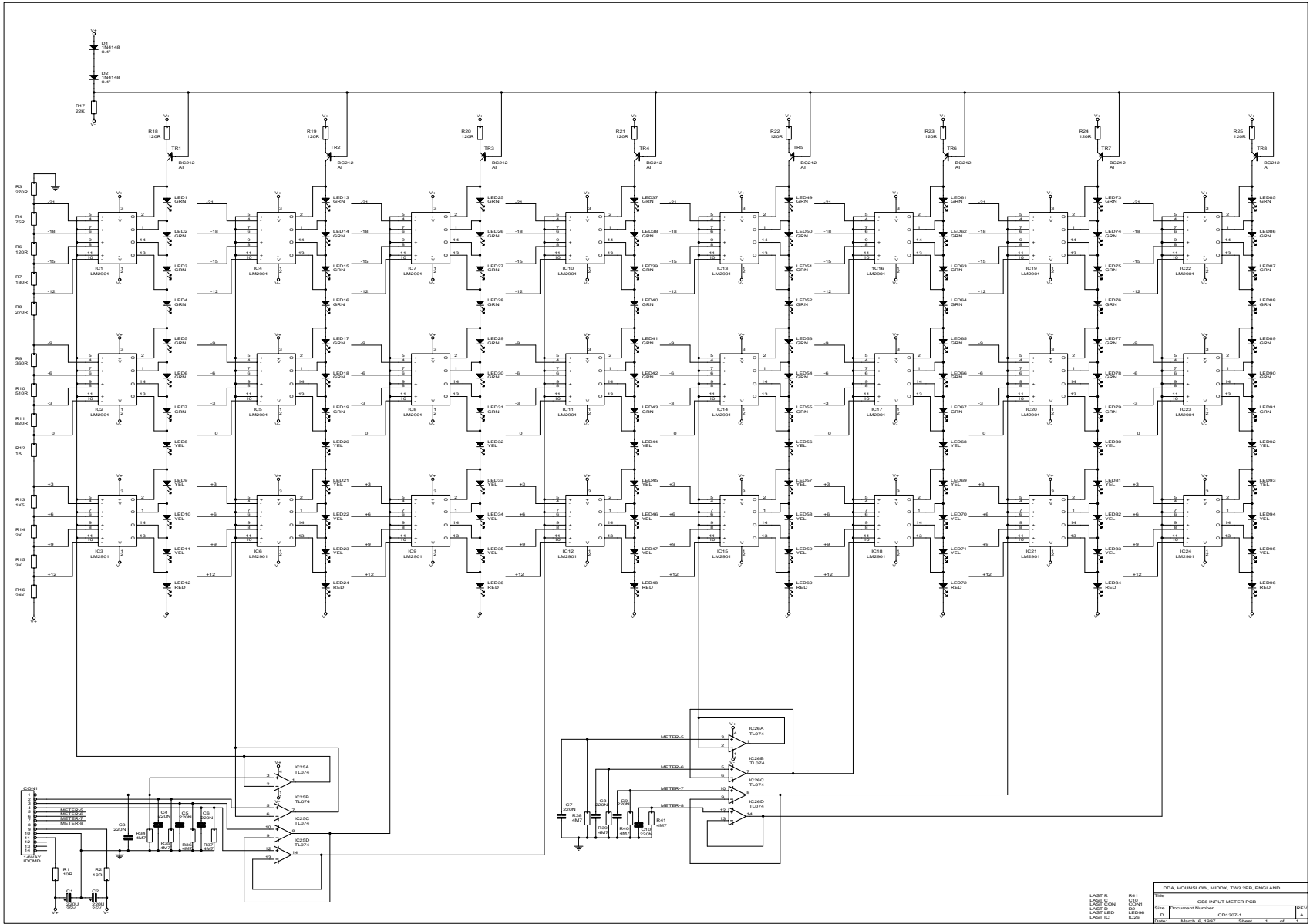


DDA, HOUNSLOW, MIDDX, TW3 2EB, ENGLAND.		
Title		
CS8 BUS LINK		
Size	Document Number	REV
A	CD1306-1	A
Date:	February 6, 1997	Sheet 1 of 1

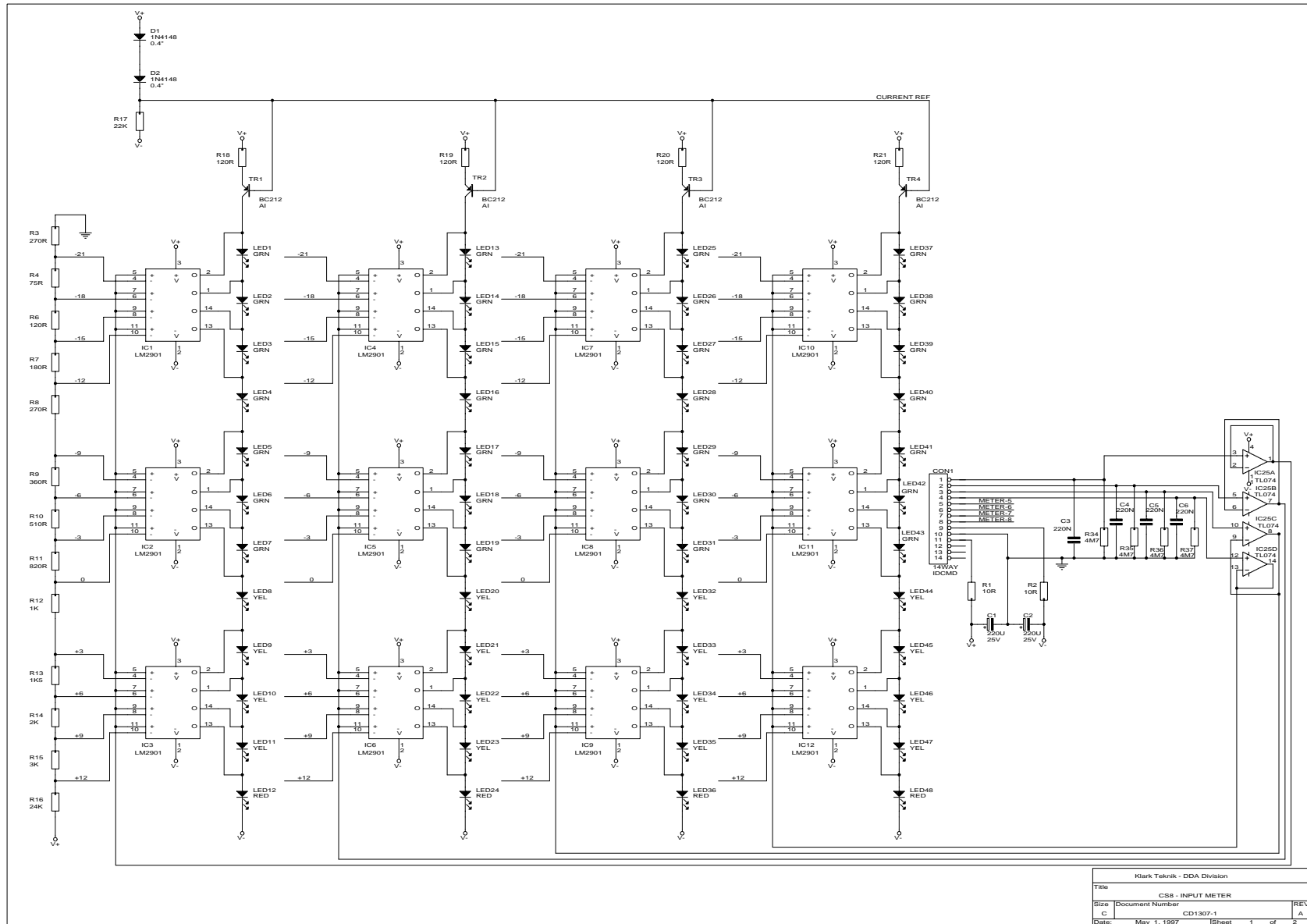


DDA, HOUNSLOW, MIDDX, TW3 2EB, ENGLAND.		
Title CS8 BUS LINK BLANKING PLUG		
Size A	Document Number CD1308-1	REV A
Date:	February 12, 1997	Sheet 1 of 1

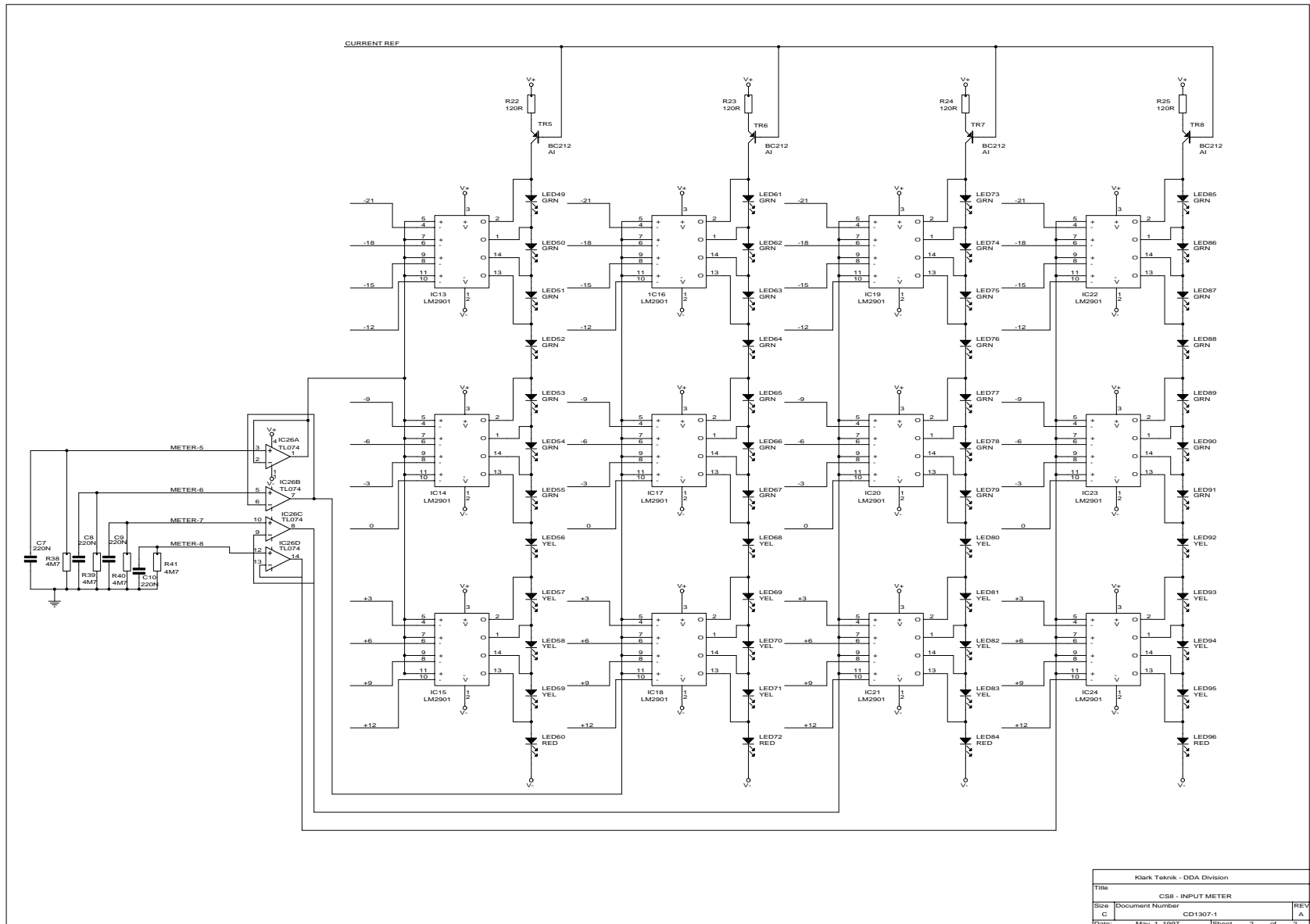
This drawing is split across the following two pages to aid readability.



EDA, HOUNSLOW, MIDDX, TW9 9SS, ENGLAND	
LAST R	R41
LAST DFN	D24
LAST DCN	DC24
LAST LED	LED24
LAST IC	IC24
DESIGNER	CDY300-1
DATE	12/06/06
SCALE	1:1
REV	A

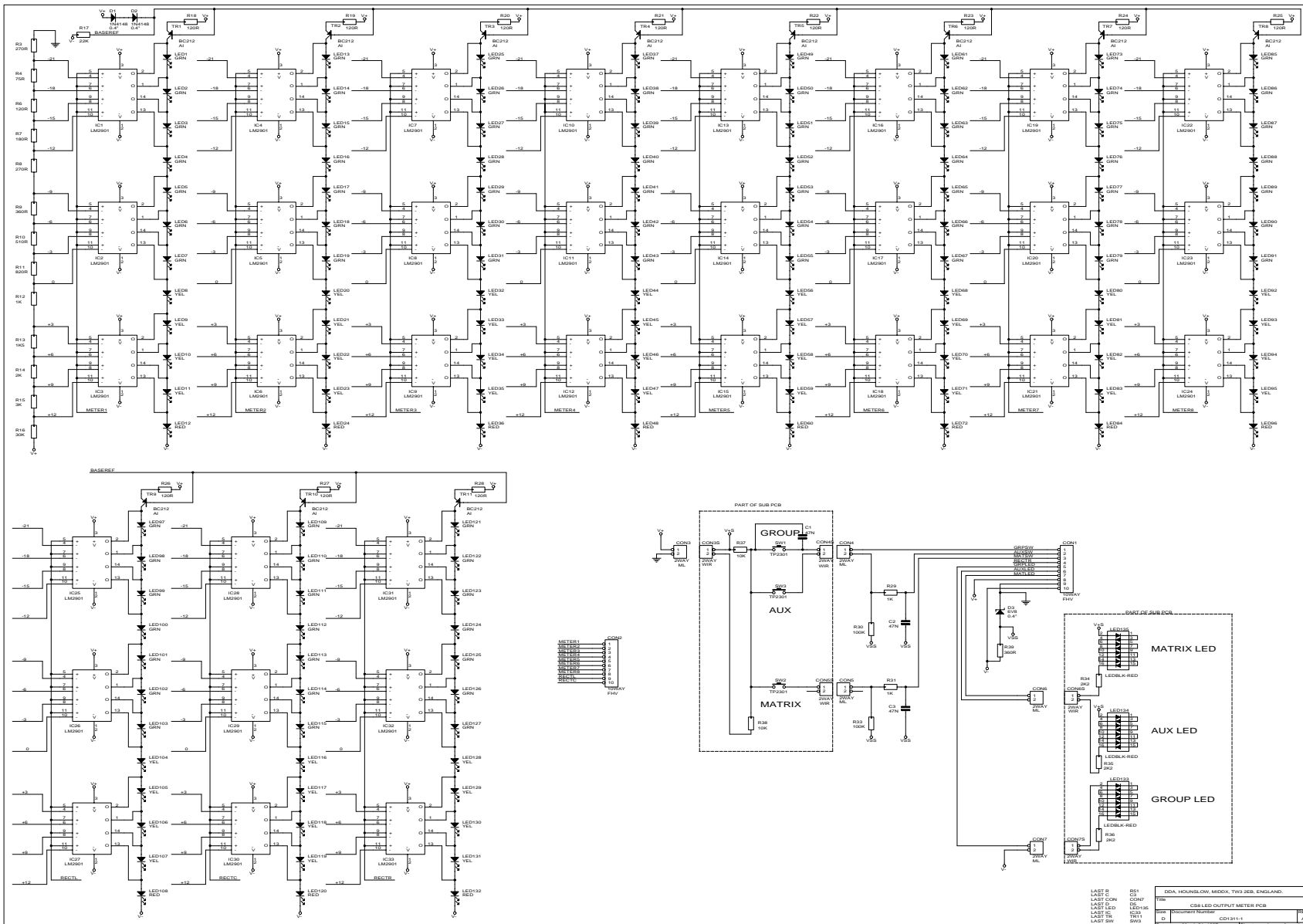


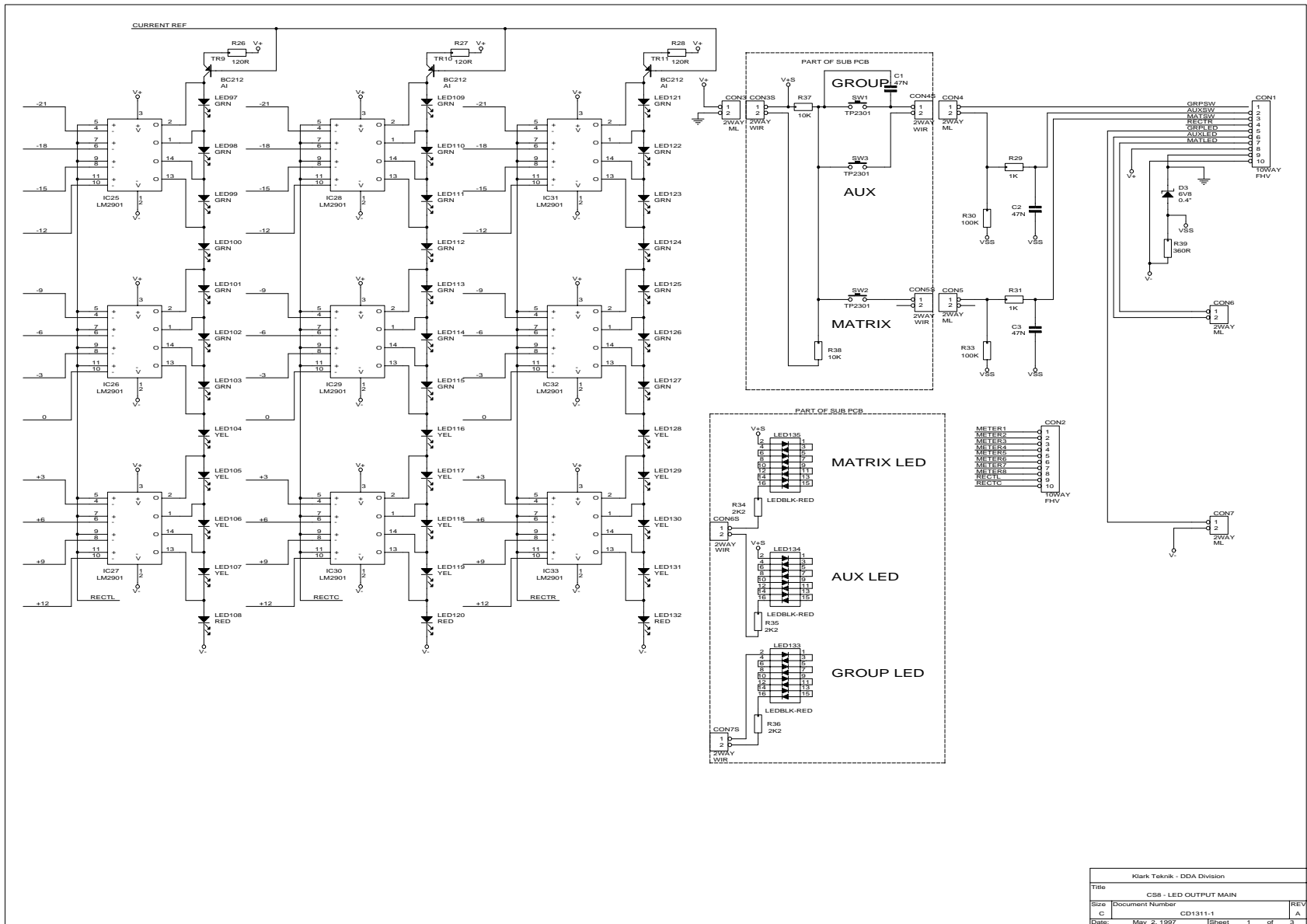
Klark Teknik - DDA Division			
Title	CS8 - INPUT METER		
Size	Document Number	CD1307-1	REV A
Date	May 1, 1997	Sheet 1	of 2

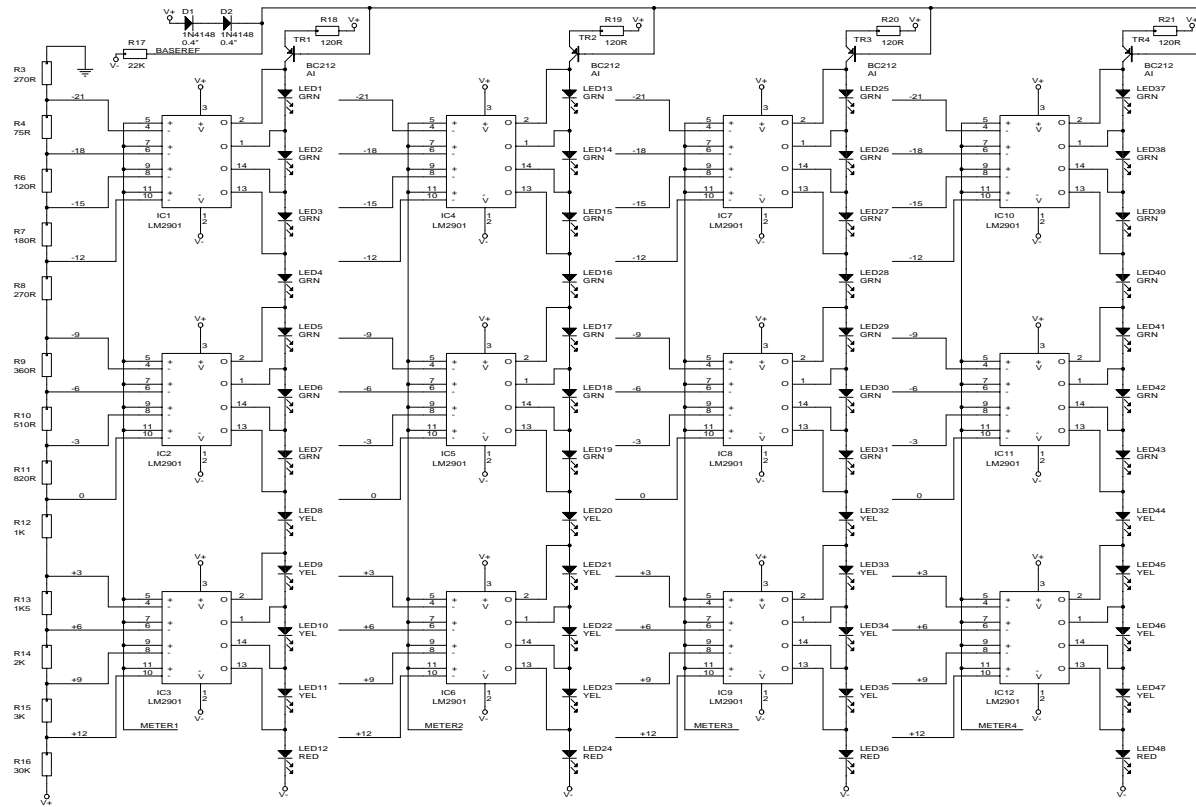


Klarik Teknik - DDA Division		
Title	CS8 - INPUT METER	
Size	Document Number	REV
C	CD1307-1	A
Date:	May 1, 1997	Sheet 2 of 2

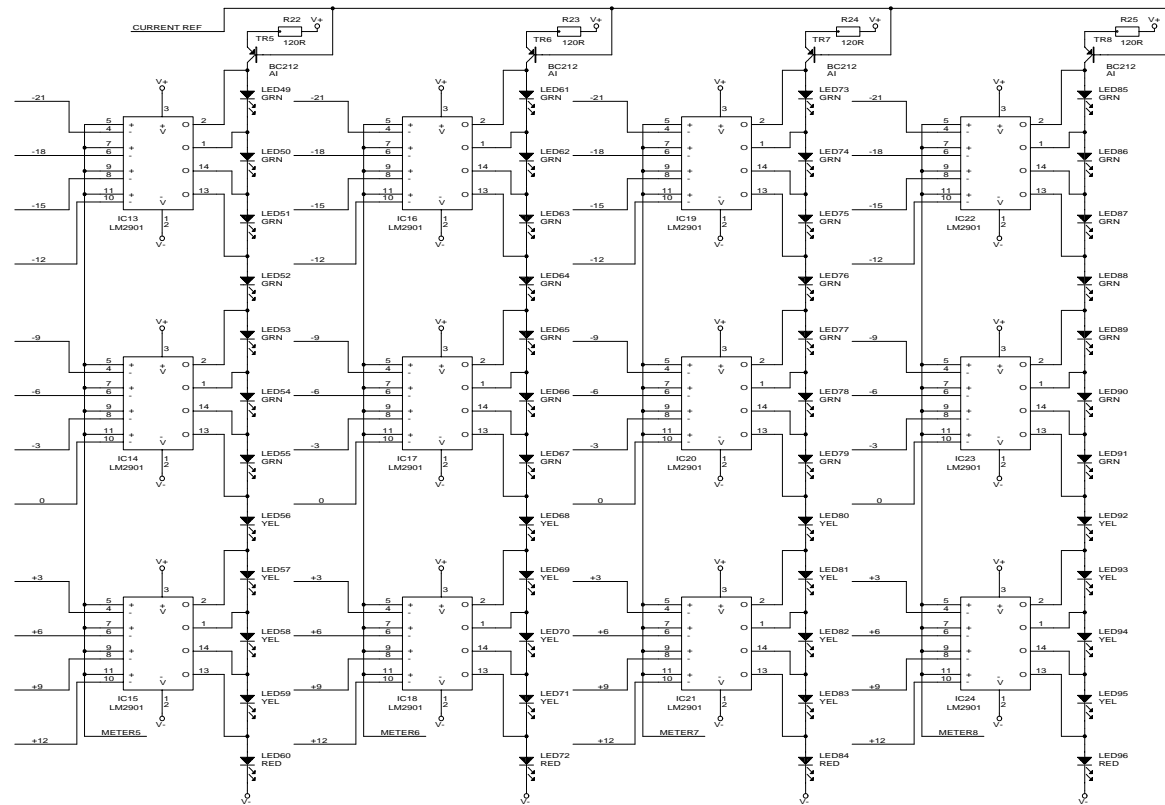
This drawing is split across the following three pages to aid readability.



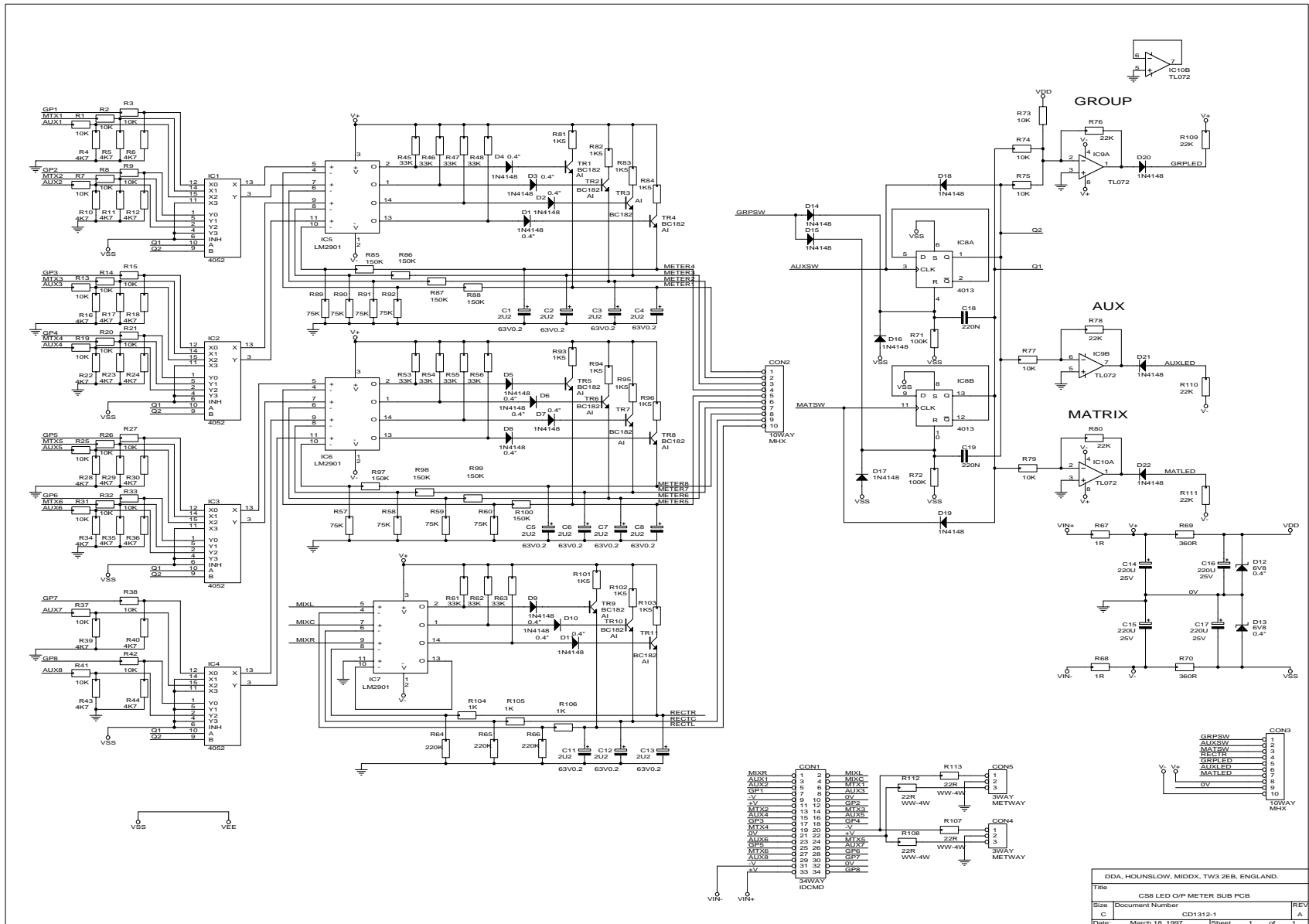


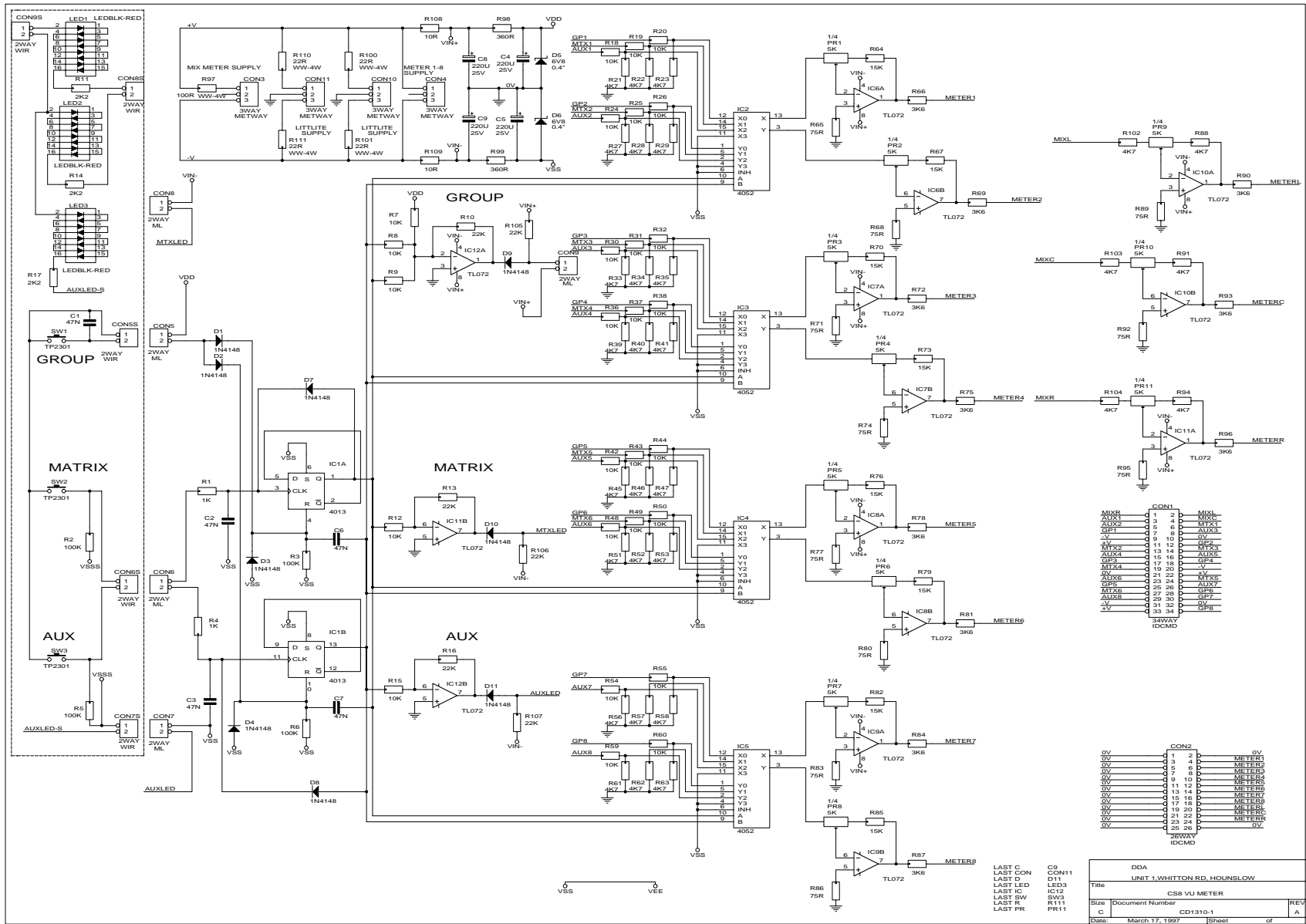


Klark Teknik - DDA Division		
Title	CS8 - LED OUTPUT MAIN	
Size	Document Number	REV
C	CD1311-1	A
Date	May 2 1997	Sheet 2 of 3



Klarik Teknik - DDA Division		
Title	CS8 - LED OUTPUT MAIN	
Size	Document Number	REV
C	CD1311-1	A
Date:	May 2, 1997	Sheet 3 of 3

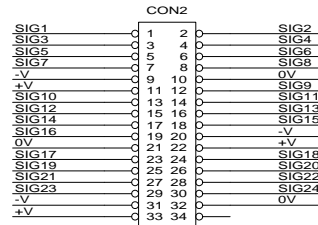
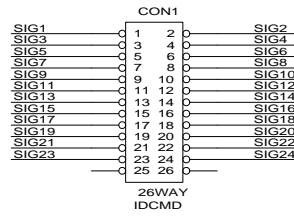




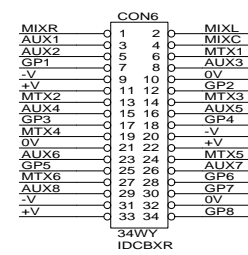
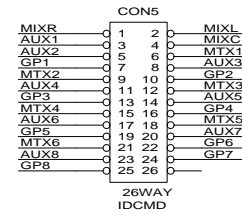
LAST C
 LAST CON
 LAST D
 LAST LED
 LAST IC
 LAST SW
 LAST R
 LAST PR

C9
 CON11
 D11
 LED3
 SW3
 R11
 PR11

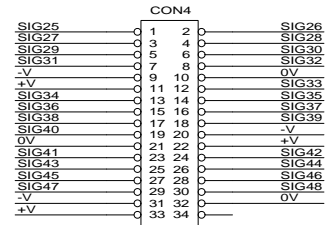
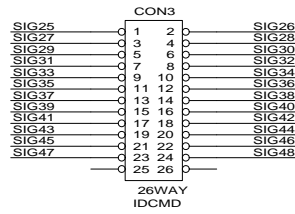
DDA		UNIT 1 WHITTON RD, HOUNSLOW	
Title	CSB VU METER		
Size	Document Number	REV	A
C	CD1310-1		
Date	March 17, 1997	Sheet	of



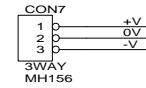
INPUT 1-24



OUTPUT & MASTERS



INPUT 25-48



DDA, HOUNSLOW, MIDDX, TW3 2EB, ENGLAND.		
Title		
CS8 METERS CONNECTOR		
Size	Document Number	REV
B	CD1309-1	A
Date:	February 13, 1997	Sheet 1 of 1